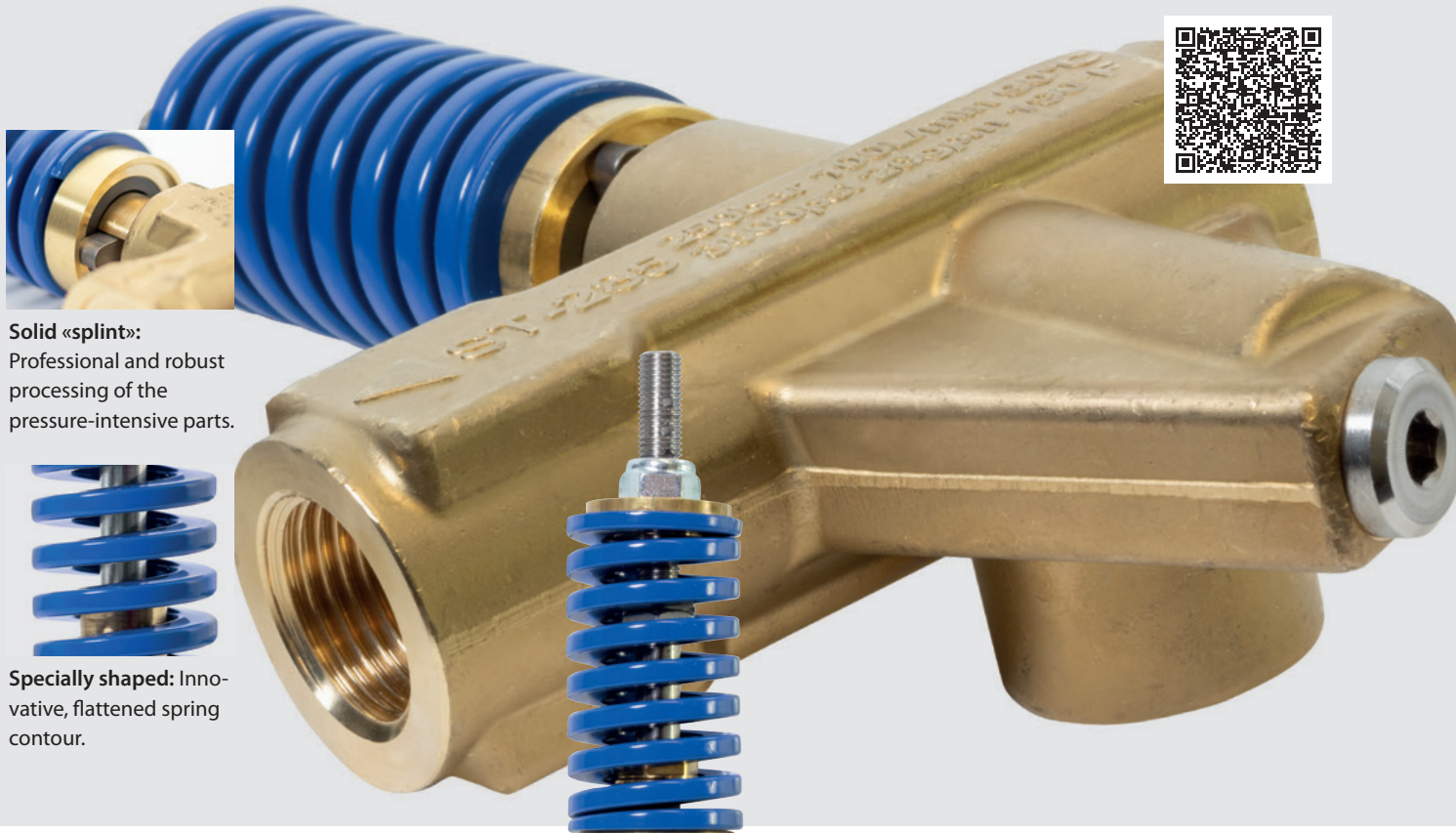


# Suttner unloader valve ST-285



The choice of perfection



**Solid «splint»:**  
Professional and robust processing of the pressure-intensive parts.



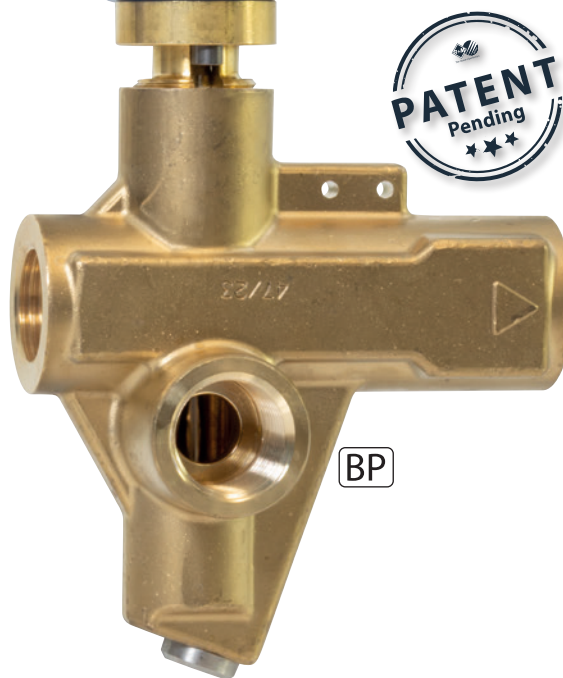
**Specially shaped:** Innovative, flattened spring contour.

## Suttner unloader valve ST-265 for high flow rates

- Soft switching behavior
- Fatigue-free spring
- Particularly easy to maintain
- Low pressure drop
- Sealing seats in high grade stainless steel and Ceramic ball in bypass



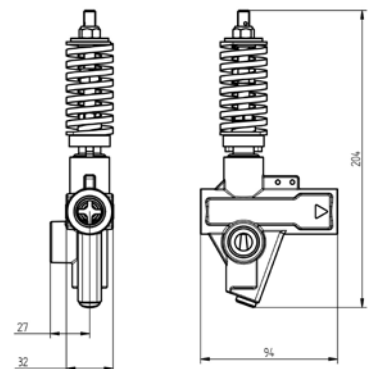
Particularly durable!  
High-quality combination of materials



BP

M10x1

MN



### ST-285 unloader valve



⊕ = Inlet 1/2" F. ⊖ = Outlet 1/2" F.  
BP = Bypass 1/2" F. Non-return valve with plastic valve cone. Max. 250 bar / 90 °C

R+M Nr.	☰
200 285 500	100 l/min



### Technical data

max. pressure	250 bar
max. temperature	90 °C
inlet / outlet	1/2" F / 1/2" F
bypass	BP 1/2" F
flow	100 l/min

www.rm-suttner.com

Version 11.23

# Suttner unloader valve ST-285 with switch



The choice of perfection

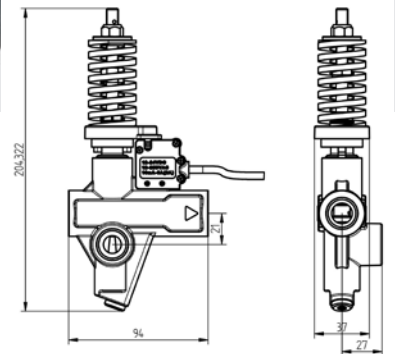
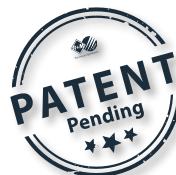


Available with switch



## Suttner unloader valve ST-285 with switch

- Maximum inrush current: 10mA-5A(2A)
- Voltage: 12-24VDC, 12-250VAC
- Protection class IP 6K7
- Cable 1.2 meters 3xAWG20



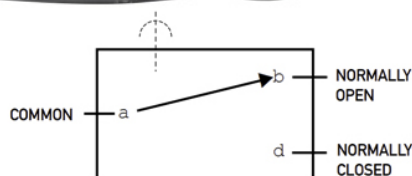
**Switch also for retrofitting:** If you want to switch off the motor during breaks in operation, use the ST-265 with attached switch. The attached pressure switch is a toggle switch for NC/NO signal.

ST-285 unloader valve with switch



☉ = Inlet 1/2" F. ☉ = Outlet 1/2" F.  
 BP = Bypass 1/2" F. Unloader valve with switch (IP 6K7) and cabel 1.200 mm.  
 Max. 250 bar / 90 °C

R+M Nr.	
200 285 550	100 l/min



Repair/retrofit kit switch ST-285



Switch for Suttner unloader valve ST-285.  
 Protection class IP 6K7  
 Cable 1.200 mm, 3xAWG20.  
 Maximum inrush current: 10mA-5A(2A)

R+M Nr.	
200 265 430	12-24VDC, 12-250VAC