



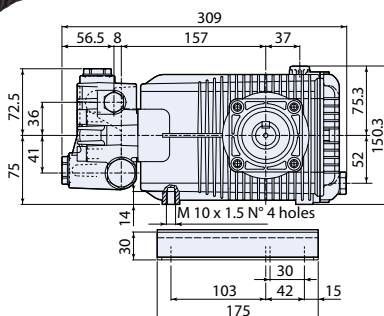
194 Series

POMPA ALBERO MASCHIO Solid shaft pump

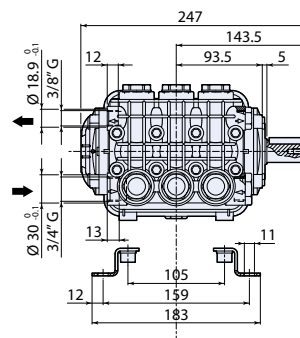


autolavaggio
car wash

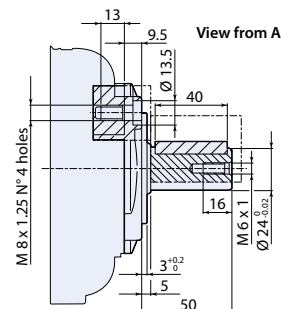
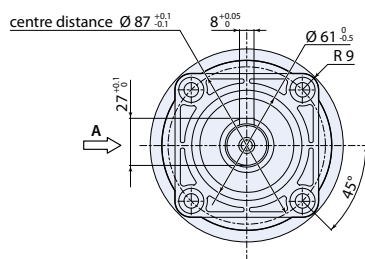
CAR WASH



Piedi a richiesta.
Base on request.



1948501



N version

MOD	COD	MAX	MAX		NET				
		l/min	gpm	bar	psi	hp	kW	N° giri/1'	kg
CWX 950rpm Nversion Ø24mm									
CWX 15.17 N	20472	15	3,96	170	2500	7,5	5,2	950	16
CWX 1200rpm Nversion Ø24mm									
CWX 18.10 N	20473	18	4,75	100	1450	5,5	3,6	1200	16
CWX 1750rpm Nversion Ø24mm									
CWX 15.17 N	20474	15	3,96	170	2500	7,5	5,2	1750	16



testa
nichelata
nickel plated
brass head



bielle in
alluminio
connecting-rods
in aluminium

194 Series

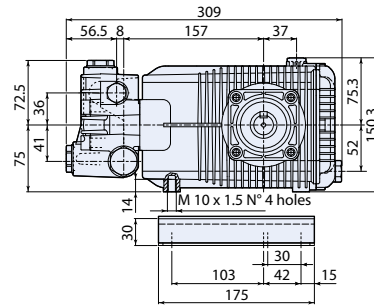
POMPA ALBERO MASCHIO
Solid shaft pump



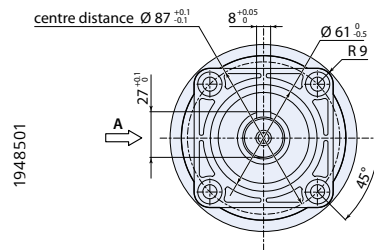
autolavaggio municipality
car wash



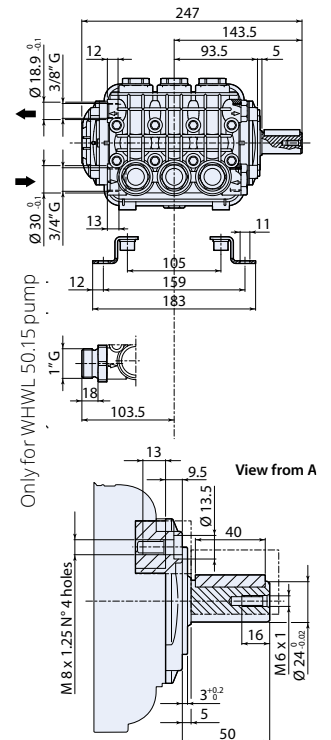
HOT WATER 85°C



Piedi a richiesta.
Base on request.



1948501



Only for WHWL 50:15 pump

View from A

N version

MOD	COD	MAX	MAX						
		l/min	gpm	bar	psi	hp	kW	N° giri/1'	kg
WHW 1450rpm Nversion Ø24mm									
WHW 15.20 N	22986	15	3,96	200	2900	7,5	5,5	1450	16
WHW 21.15 N	22987	21	5,55	150	2200	7,5	5,5	1450	16
WHW 26.15 N	22988	26	6,87	150	2200	10	7,5	1450	16
WHW 32.20 N	22989	32	8,45	200	2900	15	11	1450	16
WHWL 1450rpm Nversion Ø24mm									
WHWL 38.15 N	23966	38	9,81	150	2200	15	11	1450	16,5
WHWL 42.15 N	23967	42	11,09	150	2200	16	11,8	1450	16,5
WHWL 50.15 N	23968	50	13,20	150	2200	20	15	1450	16,5



testa
nichelata
nickel plated
brass head



PTFE

guarnizioni
in PTFE
PTFE gasket
sealing



bielle in
alluminio
connecting-rod
in aluminium