

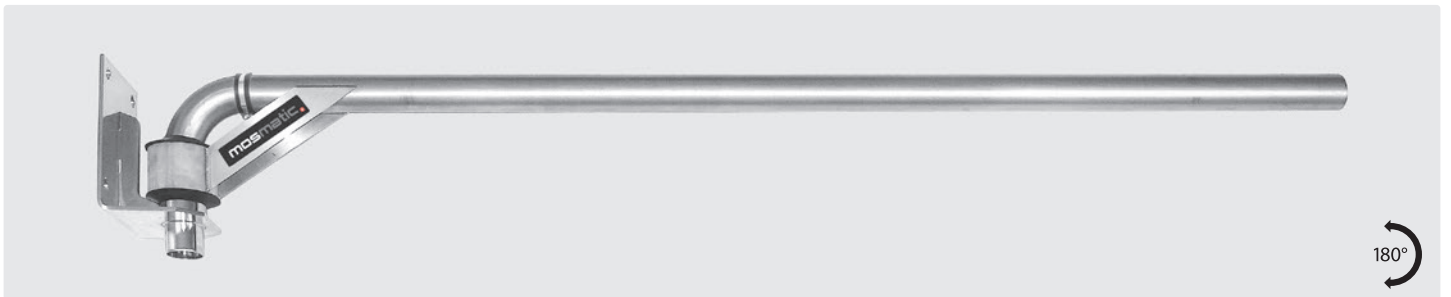
## Mosmatic wall-mount EV-Boom for e-charging stations

- » Optimal for every garage and other locations with charging stations
- » Easy cable management for trouble-free charging
- » Clean and convincing set-up with a professional appearance
- » Premature cable wear and tripping hazards are excluded.
- » **Delivery time about 2 weeks**

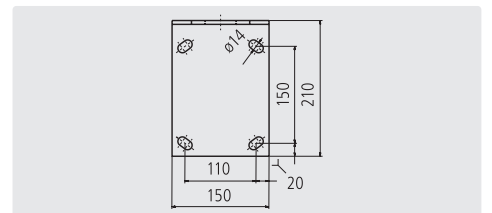
The innovative solution for vehicle charging: Mosmatic EV booms offer the perfect solution for cable management of e-charging stations in private as well as public areas. With our selection of wall booms and wide range of accessories, we offer easy and smooth charging to suit your needs. The EV Boom ensures a clean and convincing set-up with a professional appearance.



### Mosmatic wall-mount EV-Boom LU-W

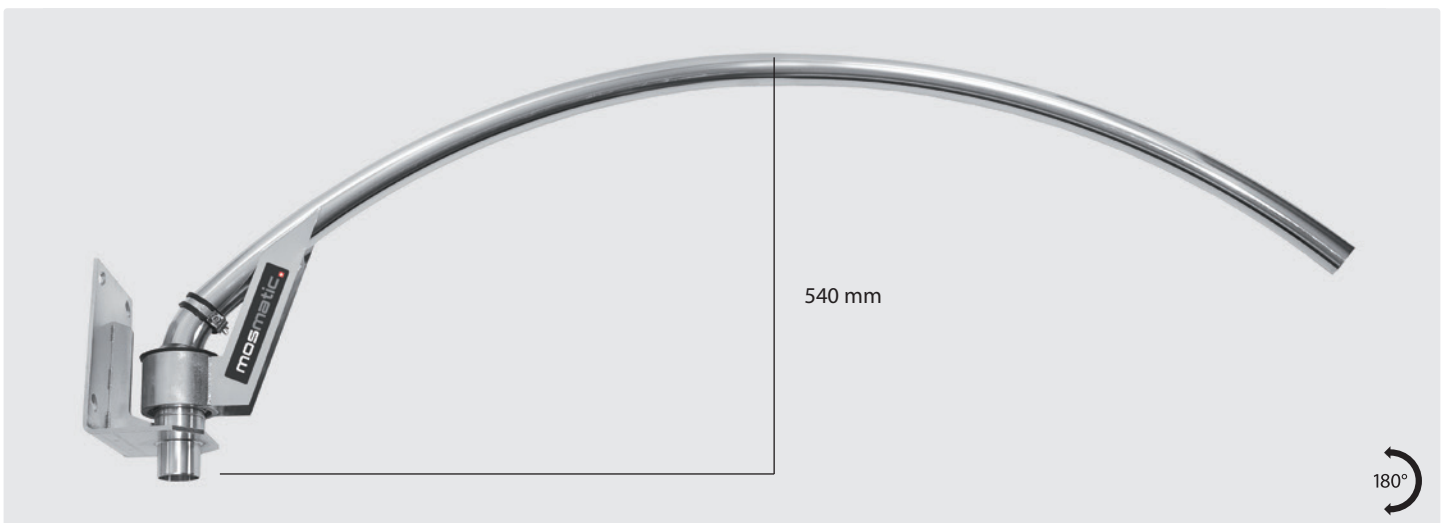


Stainless steel. The Mosmatic wall-mount EV-Boom is suitable for all e-charging cables. With ball-bearing pivot point. Maintenance free

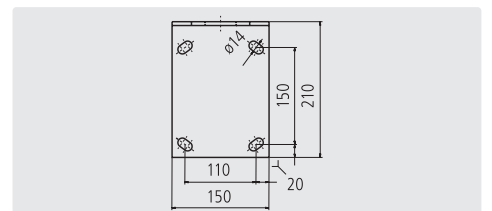


R+M Nr.	↔	∅	⚖
108 603 11	1,600 mm	50 mm	8,0 kg

### Mosmatic wall-mount EV-Boom LU-W; bended



Stainless steel. The Mosmatic wall-mount EV-Boom is suitable for all e-charging cables. With ball-bearing pivot point. Maintenance free



R+M Nr.	↔	∅	⚖
108 609 58	1.700 mm	50 mm	8,6 kg

Mosmatic accessories for EV boom e-charging stations

Plastic plugs, Mosmatic



Protects cables from rapid wear.  
For  $\varnothing$  50 mm Mosmatic wall-mount EV-Boom or pipe bends

R+M Nr.	internal diameter	material
108 905 762	34 mm	POM

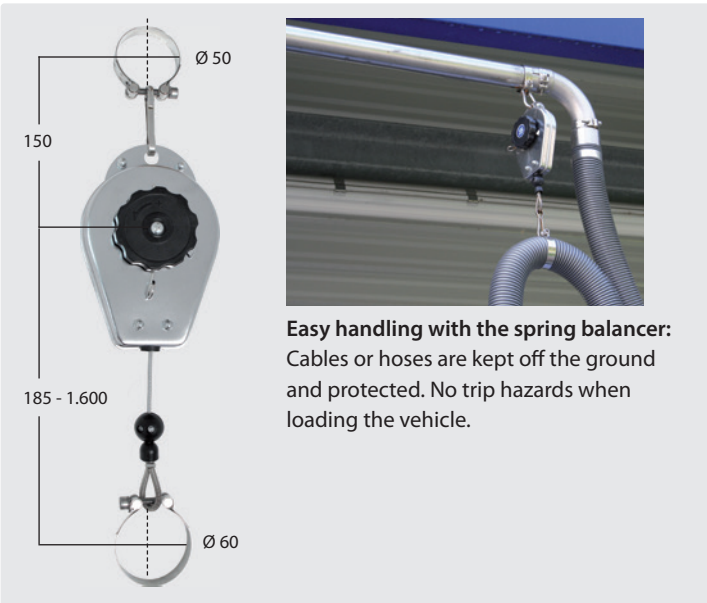
Stop with rubber buffer, Mosmatic



Stop for wall mounting.  
Prevents 360° rotating EV boom.  
For all  $\varnothing$  50 mm Mosmatic wall-mount EV-Boom

R+M Nr.	length / height / depth mm	material
108 603 19	900 / 70 / 82	stainless steel/rubber

Federzug, Mosmatic



**Easy handling with the spring balancer:**  
Cables or hoses are kept off the ground and protected. No trip hazards when loading the vehicle.

1.5 meter wire rope, extendable.  
For mounting on EV Boom to attach the charging cable.  
2 screw pipe clamps  $\varnothing$  50 / 60 mm

R+M Nr.	length	material
108 603 20	185 - 1,600 mm	stainless steel

Elbow 45°, Mosmatic



Stainless steel. For  $\varnothing$  50 mm Mosmatic wall-mount EV-Boom.  
Incl. screw pipe clamp for attachment to the wall boom.  
Cable routing and outlet: 45°

R+M Nr.	length	$\varnothing$
108 603 28	225 mm	50 mm

Elbow 90°, Mosmatic



Stainless steel. For  $\varnothing$  50 mm Mosmatic wall-mount EV-Boom.  
Incl. screw pipe clamp for attachment to the wall boom.  
Cable routing and outlet: 90°

R+M Nr.	length	$\varnothing$
108 603 14	160 mm	50 mm



**Sophisticated solutions for cables:**  
The plastic plug protects the cable from abrasion.

**Possible adaptation:**  
The pipe bends can be fastened with screw pipe clamps.

