

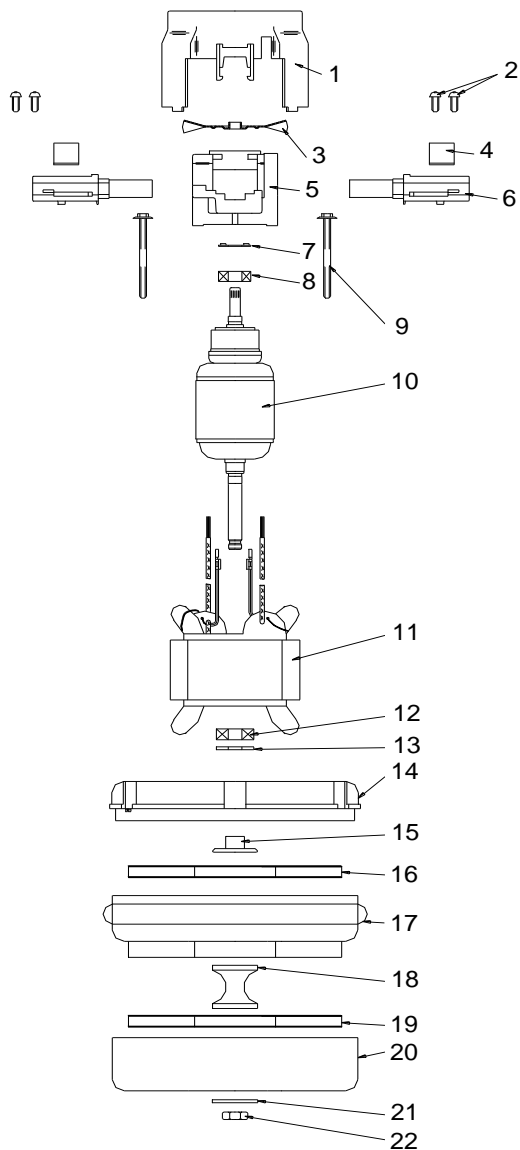
PARTS BULLETIN

AMETEK
LAMB ELECTRIC DIVISION

MODEL NO.
116110-01

ISSUED: September 1998
REVISED: October 2000

5.7"/145mm DIAMETER, 240V, 2-STAGE, BY-PASS, BALL/BALL, PERIPHERAL DISCHARGE



PARTS LIST

<u>DESCRIPTION</u>	<u>REQUIRED</u>	<u>PART NO.</u>
1 HOUSING	1	60-3776-4
2 SCREW	4	50-7971
3 FAN	1	0-3930-1
4 CLAMP	2	10-5477
5 COMM END BRACKET	1	20-6581
6 BRUSH MECHANISM	2	33378
7 LOAD SPRING	1	10-3543
8 BALL BEARING	1	70-7646-2
9 SCREW	2	60-7952-6
10 ARMATURE	1	215961
11 FIELD	1	315961
12 BALL BEARING	1	70-7613-2
13 NEOPRENE WASHER	1	10-2480
14 FAN END BRACKET	1	20-6882
15 SPACER	1	20-2970
16 ROTATING FAN	1	31120
17 STATIONARY FAN	1	31253
18 SPACER	1	10-2977-1
19 ROTATING FAN	1	31120
20 FAN SHELL	1	60-3727-4
21 WASHER	1	40-2207
22 NUT	1	7491
23 CLIP	2	20-5110

PART SUBJECT TO CHANGE WITHOUT NOTICE.

*THIS INFORMATION IS FOR PART IDENTITY ONLY,
IT IS NOT TO BE USED AS DISASSEMBLY OR
ASSEMBLY INSTRUCTIONS.*

*REPLACEMENT OF ARMATURE OR FIELD REQUIRES
THE REPLACEMENT OF BRUSH MECHANISM.*