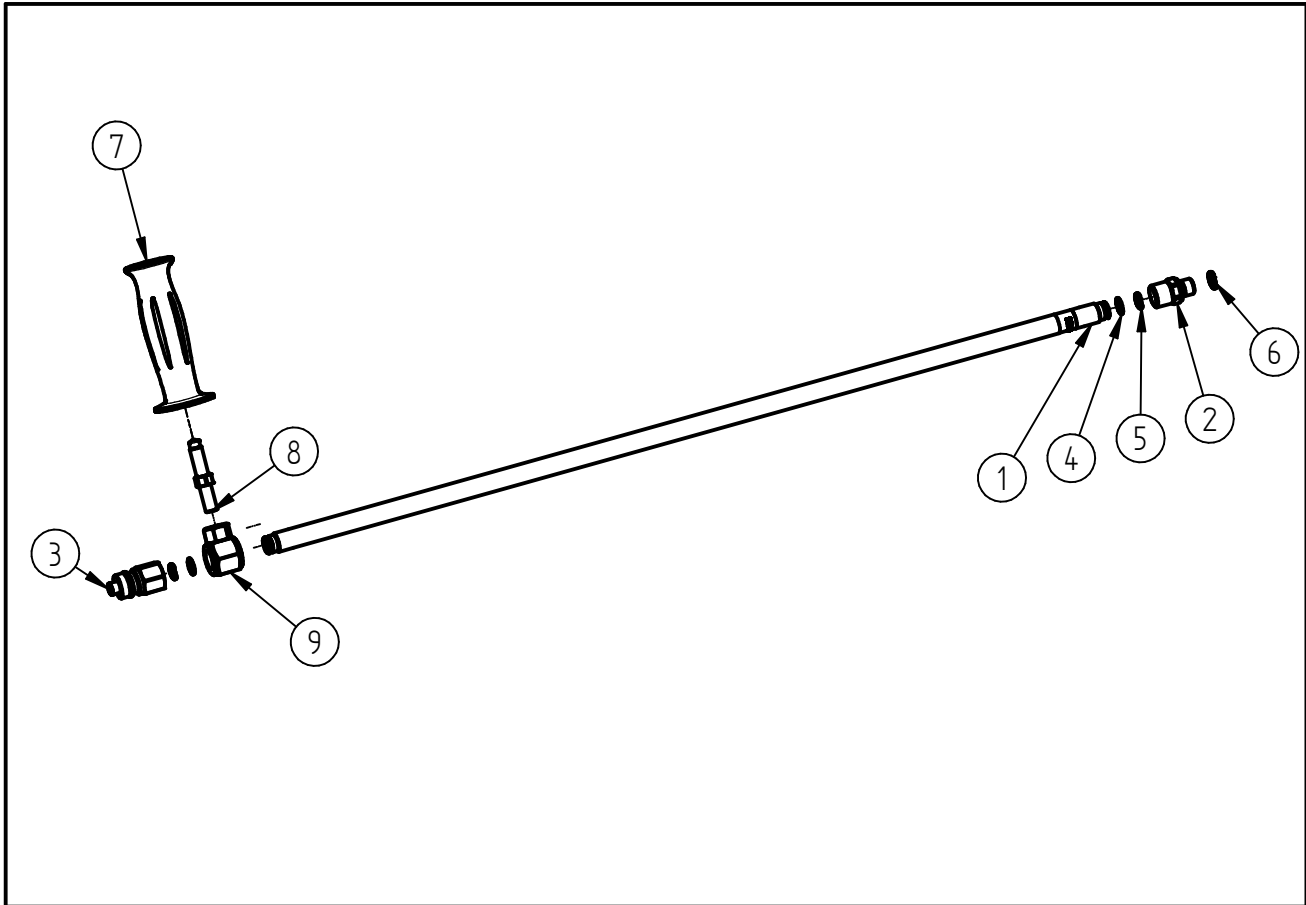


Spare Parts  
**Extension ST-3600**  
 Item-No. 20 3600 441



Pos.	Item-No.	Description
1	04 0005 710	Pipe 750mm
2	04 0006 754	nut
3	04 0005 451	plug
4	05 0000 126	Back up ring
5	05 0001 521	O-Ring 10x1,5
6	05 0000 305	O-ring
7	20 0009 690	Handle complete
8	01 0000 160	Clamping piston
9	20 3600 299	Handle adapter

Repair-Kits

Pos.	Item-No.	Description	Pos.	Item-No.	Description
.					