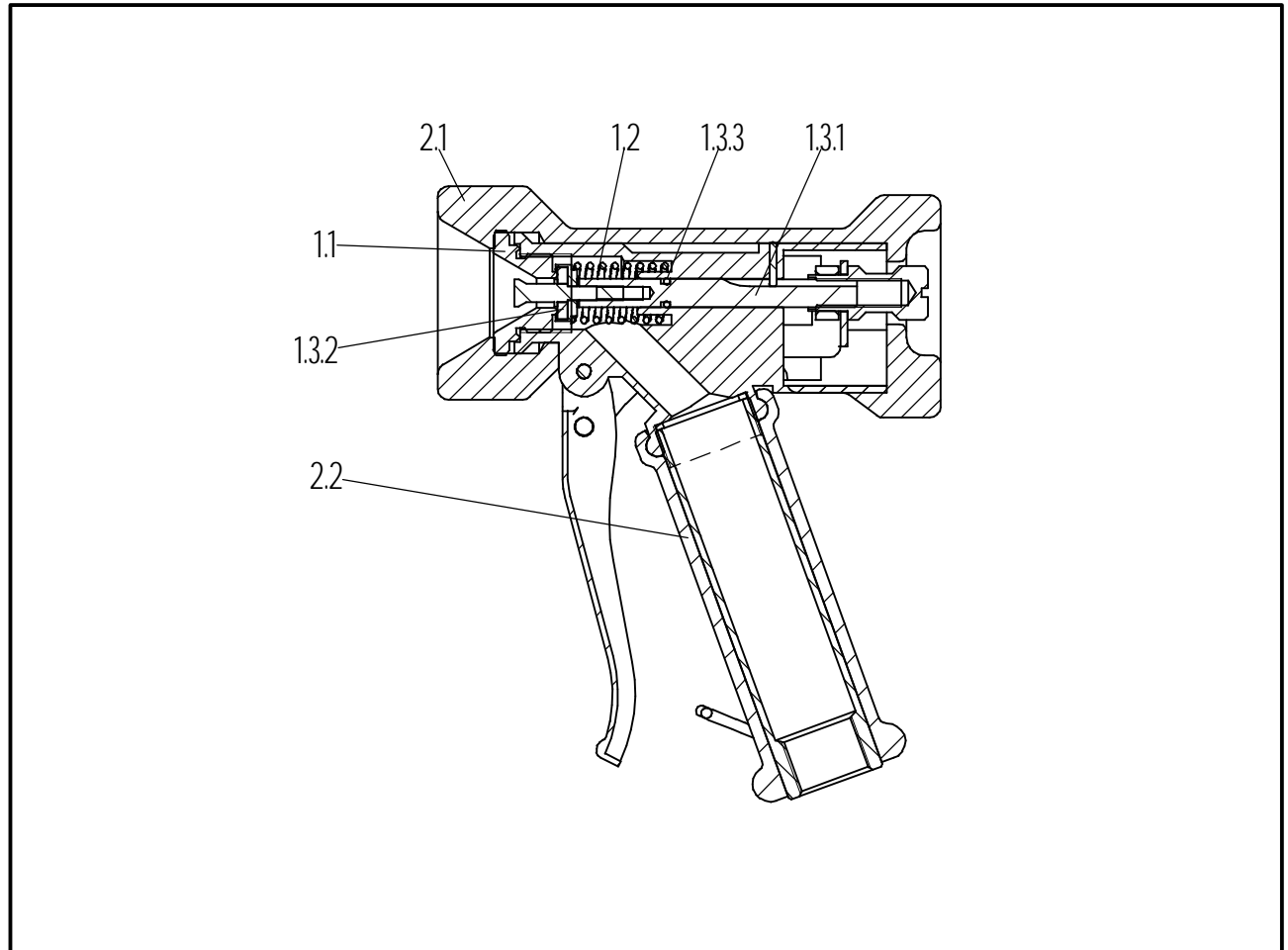


Spa re Pa rts
Spra y gu n ST - 1200
Item -No. 20 1200 500



Pos.	Item -No.	Description
1	20 1200 490	Repa ir-k it „1“ be com posed
1.1		Nozzle
1.2		Spring
1.3		Piston rod com pl. be com posed
1.3.1		Piston rod
1.3.2		Val ve disk com plete.
1.3.3		O-ring

Pos.	Item -No.	Description
2	20 1200 495	Repa ir-k it „2“ be com posed
2.1		Protection for va lve hou sing
2.2		Protection for ha rdle