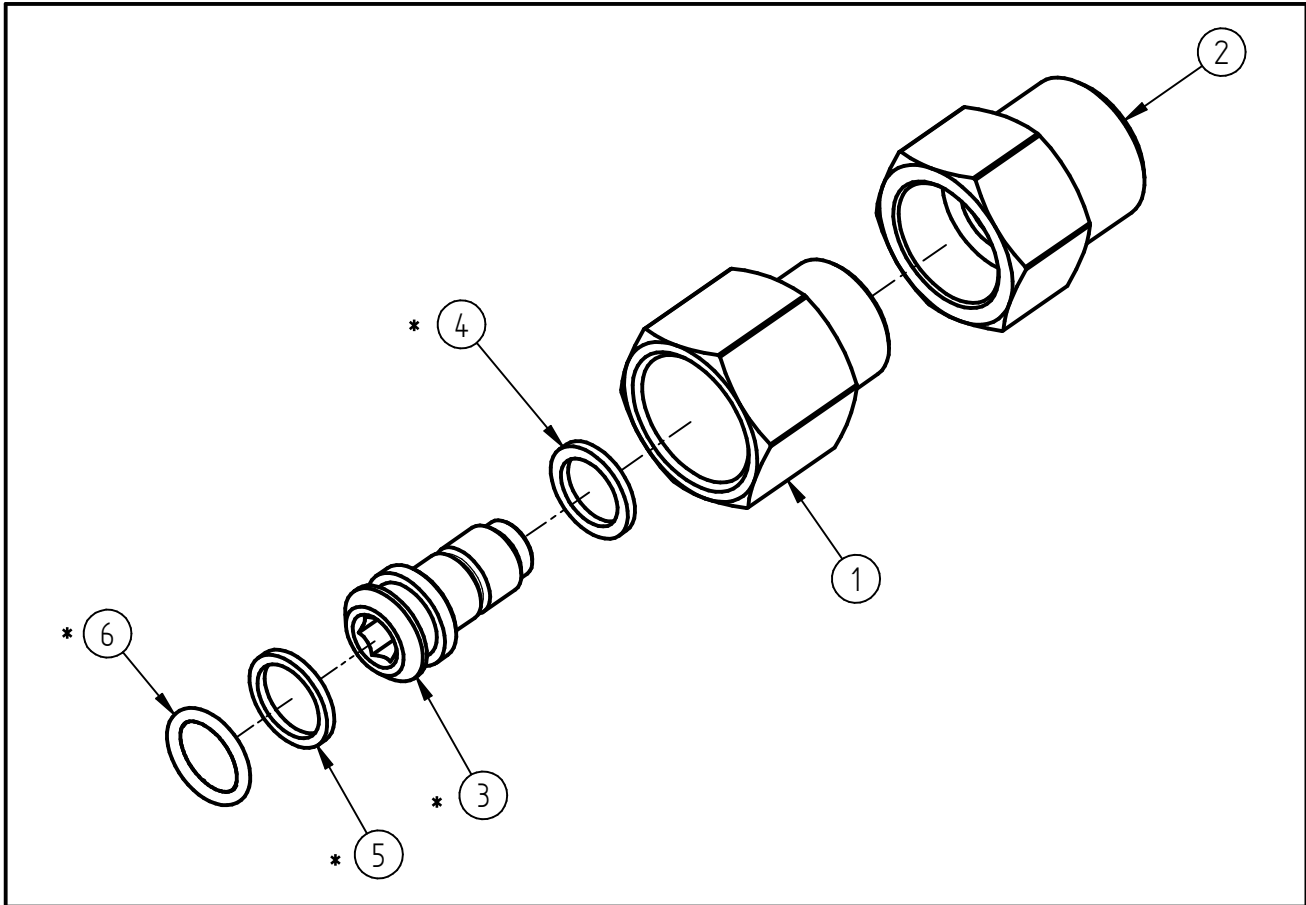


Spare Parts
Swivel ST-310
 Item-No. 200310040



| Pos. | Item-No. | Description |
|------|-----------|----------------------------------|
| 1 | 040001890 | Swivel G1/2 female ST-310 |
| 2 | 040001870 | Connection part G1/2 male ST-310 |
| 3 | 040000520 | Connection piece swivel ST-301 |
| 4 | 050000411 | Back-up ring 10,2x13,9x1,4 |
| 5 | 050000409 | Back-up ring 11,1x14x1,4 |
| 6 | 050000305 | O-ring 10,82x1,78 |

Repair-Kits

| Pos. | Item-No. | Description | Pos. | Item-No. | Description |
|------|-----------|-------------|------|----------|-------------|
| * | 200300100 | Repair-Kit | | | |