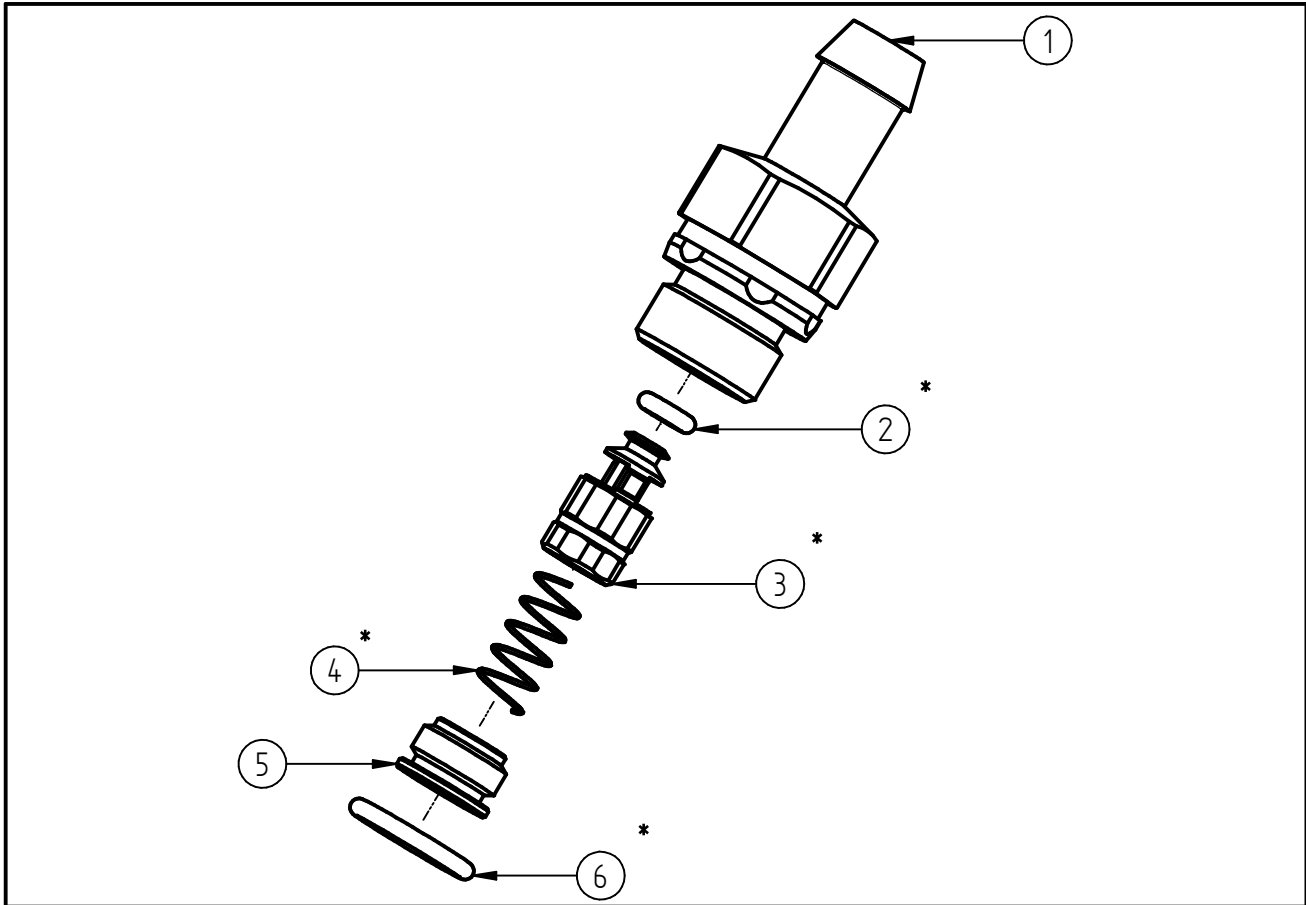


Spare Parts

**Double injector ST-163**

Item-No. 200163350



| Pos. | Item-No.  | Description                        |
|------|-----------|------------------------------------|
| 1    | 040003550 | Hose clip ST-163                   |
| 2    | 050000264 | O-ring 2,9x1,78 FKM ETP-75 extreme |
| 3    | 040003573 | Check valve piston ST-163 SS316L   |
| 4    | 060001102 | Spring check valve                 |
| 5    | 040003558 | Screw plug ST-163                  |
| 6    | 050000300 | O-ring 10,82 x 1,78                |

**Repair-Kits**

| Pos. | Item-No.  | Description                         | Pos. | Item-No. | Description |
|------|-----------|-------------------------------------|------|----------|-------------|
| *    | 200163493 | Repair- Kit Rückschlagventil ST-163 |      |          |             |