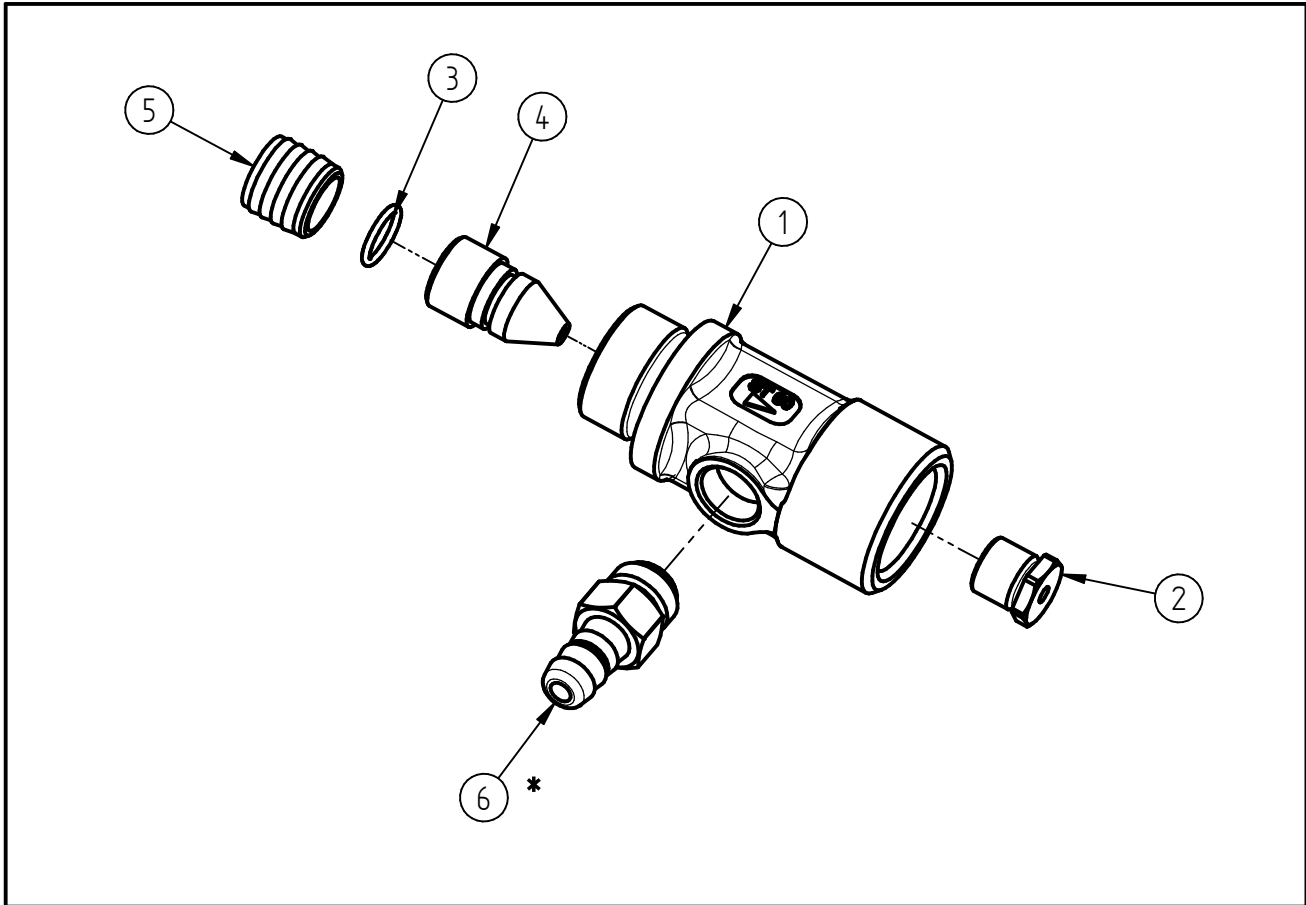


Spare Parts
Foam injektor ST-60.1
Item-No. 200060700



Pos.	Item-No.	Description
1	010001590	Housing ST-60.1
2	040002690	Opposed nozzle 2,0mm ST-60.1
3	050000360	O-ring 7x1
4	040002700	Nozzle 1,6mm ST-60.1
5	020002590	Hub
6	200060720	Hose nozzle + check valve

Repair-Kits

Pos.	Item-No.	Description	Pos.	Item-No.	Description
*	200060725	Repair-Kit Schlauchtülle			