



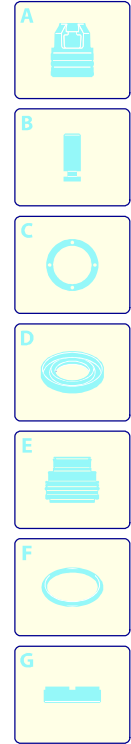
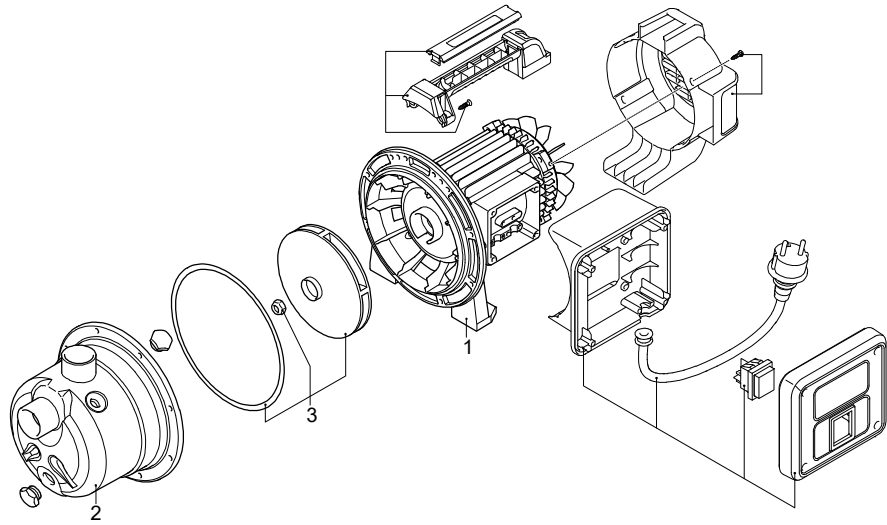
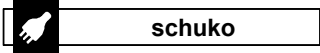
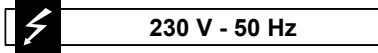
# Model ARGP 800 X

Version:

Serial number:

Code: **51988**

10/10/2019



Validity	Pos.	Code	Description	Q
	1	4540860	Motor	1
	2	4541000	Head	1
	3	4540810	Impeller	1