



Series 194

HXW

1450rpm

P	Code	Description	Q	Note	Validity	P	Code	Description	Q	Note	Validity
1	1949230	Head assembly	Ø 22	1		69	1140450	O-ring	Ø 20,24x2,62	1	Lubricate with grease Molykote PG54
2	1941210	Head		1		70	740290	O-ring	Ø 14x1,78	1	Lubricate with grease Molykote PG54
3	1140300	Plug	3/4" G	1	C=35Nm	71	1980740	Plug	3/8" G brass	1	C=20Nm
4	550350	O-ring	Ø 23,81x2,62	1		75	1140410	Bearing		2	
9	1940140	Plug		5		76	1941380	O-ring	Ø 66,34x2,62	2	
10	1940150	Ring	anti-extrusion	6		77	1949011	Cover		1	
11	1140450	O-ring	Ø 20,24x2,62	12	Lubricate with grease Molykote PG54	79	1941290	Ring		1	
12	1949050	Complete valve		6		80	1941260	Plate		1	
13	1941950	Plug		1		81	1941270	Level gauge		1	
14	740260	Pressure gauge	Ø 63	1		82	100410	O-ring	Ø 34,6x2,62	1	
20	1940270	Gasket	Ø 22	3	Lubricate with grease Molykote PG54	83	1941390	Shim 0.05mm		1	
22	1940200	Piston guide	front Ø 22	3		83	1941400	Shim 0.10mm		1	
23	1940480	Gasket	Ø 22	3	Lubricate with grease Molykote PG54	83	1941410	Shim 0.19mm		1	
24	1941220	O-ring	cut Ø 22	3		83	1941420	Shim 0.25mm		1	
25	1940460	Piston guide	rear Ø 22	3		84	850370	Screw	TCEI M8x16	8	C=24,5Nm
26	820490	O-ring	Ø 34,65x1,78	3		85	1940160	Shaft	1 marked	1	
27	1940560	Ring	seal	3		86	650250	Key		1	
40	1941330	Pump body		1		90	1941240	Support		1	
41	1940260	Screw	TCEI M10x80	8	C=50Nm	91	820680	Ring	seal	1	Screw with Loxeal 55-14 / C=10Nm
42	650530	Washer		8		A	2780	Valve kit		1	
43	1140370	Plug		1		B	1891	Piston kit	Ø 22	1	
44	1980740	Plug	3/8" G brass	1	C=20Nm	C	2873	Oil seal kit		1	
45	740290	O-ring	Ø 14x1,78	1	Lubricate with grease Molykote PG54	E	2783	Water seal kit	Ø 22	1	
46	1940410	O-ring	Ø 132x3	1		H	2785	Piston guide kit	Ø 22	1	
47	1200430	Screw	TCEI M6x16	6	Screw with Loxeal 55-14 / C=10Nm						
50	1940570	Nut		3	Screw with Loxeal 55-14 / C=20Nm						
51	1940580	Washer		3							
52	1420120	Piston	Ø 22	3							
53	880840	O-ring	Ø 9,25x1,78	3	Lubricate with grease Molykote G807						
54	1940120	Ring	anti-extrusion	3							
55	960460	Plate		3							
56	1940070	Piston	guide	3							
57	1940060	Pin		3							
58	1940051	Connecting-rod	aluminium	3	Lubricate with grease Molykote BR2 PLUS						
65	1949010	Cover	complete	1							
66	1260430	Ring		1							
67	1780690	Plate		1							
68	1260250	Level gauge		1							

Revision: 1

Oil type: SAE 15W40

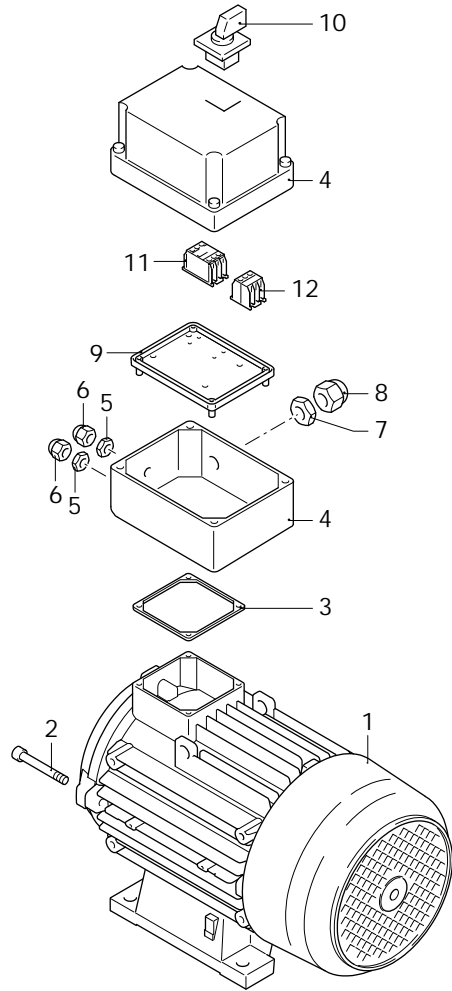
Attachment:

Date: 23/03/2022

Oil quantity: 0,870 Kg

C=Tightening torque (Tolerance +0 ÷ -10%)

26060 - HXW 30.15 ET + VR 3B



P	Code	Description		Q	Note	Validity
1	44401	Motor	Gr.132	1	10 HP	
2	620610	Screw	TCEI M8x30	4	Screw with Loxeal 55-14 / C=24,5Nm	
3	50117	Gasket		1		
4	51245	Box		1		
5	52379	Nut		2		
6	52377	Cable gland		2		
7	52380	Nut		1		
8	52378	Cable gland		1		
9	51246	Plate		1		
10	51244	Switch		1		
11	51239	Contactator		1		
12	51240	Relay	thermal	1		

AR-1_000345_v01

Revision: 1

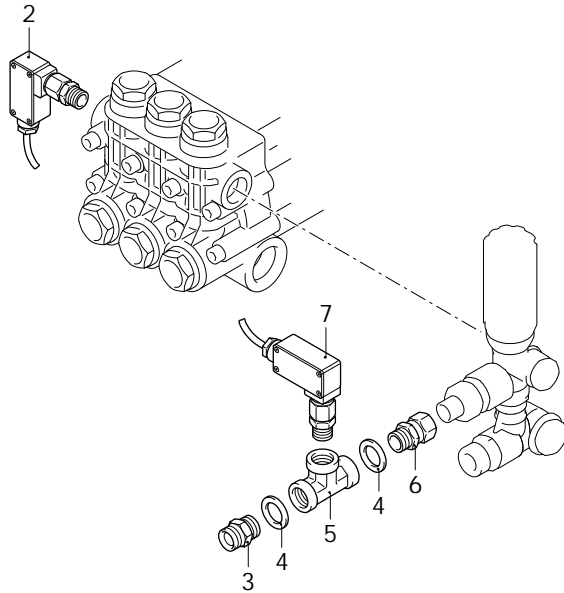
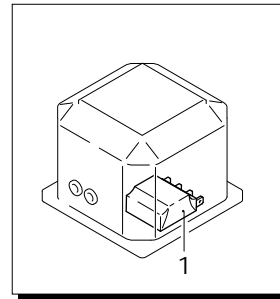
Oil type: SAE 15W40

Attachment:

Date: 23/03/2022

Oil quantity: 0,870 Kg

C=Tightening torque (Tolerance +0 ÷ -10%)



P	Code	Description	Q	Note	Validity
1	2360590	Board	1		
2	51368	Pressure switch	1	Red ring nut	
3	2283000	Fitting	1	3/8 "G (M-M)	
4	1560280	Washer	2		
5	2283010	Fitting	1	T 3/8"G (F)	
6	1420860	Fitting	1	3/8 "G (F-M)	
7	51368	Pressure switch	1	Red ring nut	

AR-1_000213_v01

Revision: 1

Oil type: SAE 15W40

Attachment:

Date: 23/03/2022

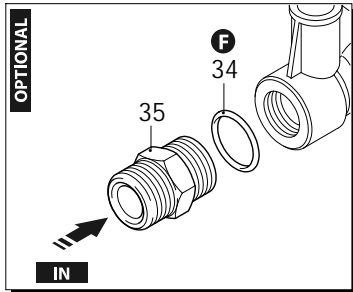
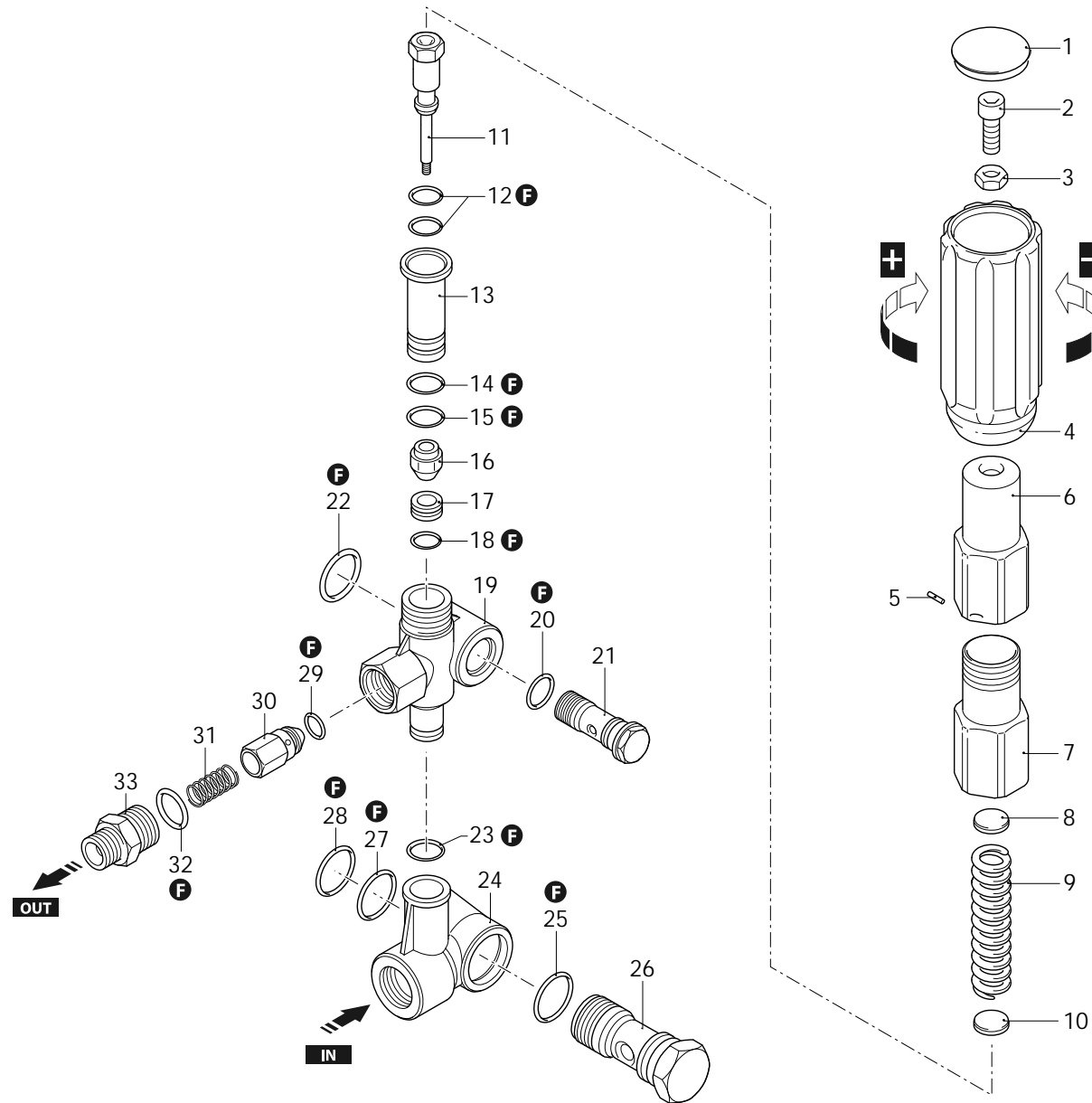
Oil quantity: 0,870 Kg

C=Tightening torque (Tolerance +0 ÷ -10%)



VR 3B

300 bar



AR-1_000215_v01

23/03/2022



VR 3B

300 bar

P	Code	Description	Q	Note	Validity	P	Code	Description	Q	Note	Validity
1	1560580	Plug	1								
2	540290	Screw	1	C=25Nm							
3	1660210	Nut	1								
4	1560400	Knob	1								
5	1080070	Pin	1								
6	1560420	Screw	1	Lubricate with grease Molykote PG54							
7	2260330	Guide	1	Screw with Loxeal 55-14 / C=35Nm							
8	2260140	Wobble plate	1								
9	1560350	Spring	1								
10	2260340	Wobble plate	1								
11	2260060	Piston	1								
12	2260100	O-ring	2	Lubricate with grease Molykote PG54							
13	2260040	Piston guide	1								
14	740290	O-ring	1	Lubricate with grease Molykote PG54							
15	394280	O-ring	1	Lubricate with grease Molykote PG54							
16	2761290	Piston	1	Screw with Loxeal 83-21 / C=3Nm							
17	2260080	Seat	1								
18	1260740	O-ring	1	Lubricate with grease Molykote PG54							
19	2260170	Valve body	1								
20	390080	O-ring	1	Lubricate with grease Molykote G807							
21	1540272	Screw	1	C=30Nm							
22	2260190	O-ring	1								
23	390080	O-ring	1	Lubricate with grease Molykote G807							
24	1560550	Suction fitting	1								
25	770260	O-ring	1								
26	1560760	Fitting	1								
27	770260	O-ring	1								
28	550350	O-ring	1								
29	1560151	O-ring	1	90 Sh							
30	1560890	Shutter	1								
31	1560140	Spring	1								
32	180101	O-ring	1	Lubricate with grease Molykote PG54							
33	1560111	Fitting	1	C=35Nm							
34	550350	O-ring	1								
35	1560560	Fitting	1								
F	2193	Gasket kit	1								

Revision: 1

Oil type: -

Attachment:

Date: 23/03/2022

Oil quantity: -

C=Tightening torque (Tolerance +0 ÷ -10%)