

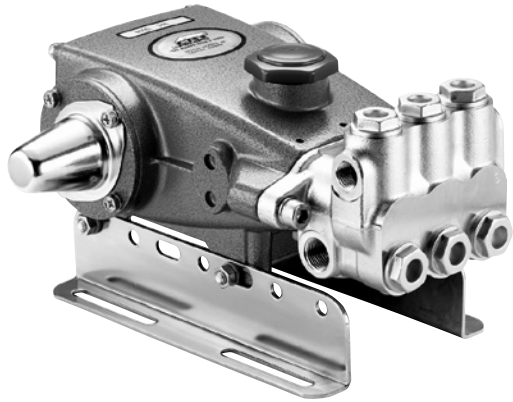
DATA SHEET

5 FRAME PLUNGER PUMPS



Standard Models: 310, 340, 350

Special Brass Models: 310B, 340B, 350B



Model 310 Shown
(Rails and Shaft Protector Sold Separately)

FEATURES

- Triplex design offers high efficiency and low pulsation.
- Durable high pressure seals are lubricated and cooled by pumped liquid.
- Pre-set Lo-Pressure Seals provide secondary protection against external leaks and require no packing adjustment.
- Alternate crankshaft strokes offers flexibility with belt, clutch or direct-drive installation.
- Standard NBR seals with alternative options for temperature and chemical compatibility
 - FPM – .0110
 - EPDM – .0220
 - High Temp, 190°F – .3000

COMMON SPECIFICATIONS

	U.S.	Metric
Bore	0.787"	20 mm
Standard Liquid Temperature	160°F	71°C
Above 130°F call Cat Pumps for inlet conditions and elastomer recommendations.		
Crankcase Capacity	18 oz.	0.55 l
Inlet Ports (2)	1/2" NPT(F)	1/2" NPT(F)
Discharge Ports (2)	3/8" NPT(F)	3/8" NPT(F)
Shaft Diameter	0.787"	20 mm
Weight	19.8 lbs.	9 kg
Dimensions	11.73 x 10.0 x 5.24"	298 x 254 x 133 mm

SPECIFICATIONS

	U.S. Measure	Metric Measure
310, 310B Belt Drive		
Flow	4.0 gpm	15 lpm
Pressure Range	100 to 2200 psi	7 to 152 bar
Pump RPM	950 rpm	950 rpm
Inlet Pressure Range	-5 to 60 psi	-0.35 to 4 bar
Stroke	0.709"	18 mm
340, 340B Direct Drive		
Flow	4.0 gpm	15 lpm
Pressure Range	100 to 1800 psi	7 to 124 bar
Pump RPM	1725 rpm	1725 rpm
Inlet Pressure Range	Flooded to 60 psi	Flooded to 4 bar
Stroke	0.394"	10 mm
350, 350B Direct Drive		
Flow	5.0 gpm	19 lpm
Pressure Range	100 to 1500 psi	7 to 103 bar
Pump RPM	1725 rpm	1725 rpm
Inlet Pressure Range	Flooded to 60 psi	Flooded to 4 bar
Stroke	0.472"	12 mm

ALTERNATE SPECIFICATIONS

	U.S. Measure	Metric Measure
310, 310B		
Flow	5.0 gpm	19 lpm
Pressure Range	100 to 1500 psi	7 to 105 bar
Pump RPM	1190 rpm	1190 rpm

ELECTRIC HORSEPOWER REQUIREMENTS

MODELS	FLOW		PRESSURE					MOTOR PULLEY SIZE	
			psi 1200	psi 1500	psi 1800	psi 2000	psi 2200	Using 1725 RPM Motor & Std. 8" Pump Pulley	
	U.S. gpm	lpm	bar 82	bar 103	bar 124	bar 138	bar 152	RPM	Pulley O.D.
310	4.0	15	3.3	4.1	5.0	5.5	6.0	950	4.4
Alternate	5.0	19	4.1	5.1	N/A	N/A	N/A	1190	5.5
340	4.0	15	3.3	4.1	5.0	N/A	N/A	1725	Direct Drive
350	5.0	19	4.1	5.1	N/A	N/A	N/A	1725	Direct Drive

DETERMINING THE PUMP R.P.M.

$$\frac{\text{Rated gpm}}{\text{Rated rpm}} = \frac{\text{"Desired" gpm}}{\text{"Desired" rpm}}$$

DETERMINING THE REQUIRED H.P.

$$\frac{\text{gpm} \times \text{psi}}{1460} = \text{Electric Brake H. P. Required}$$

DETERMINING MOTOR PULLEY SIZE

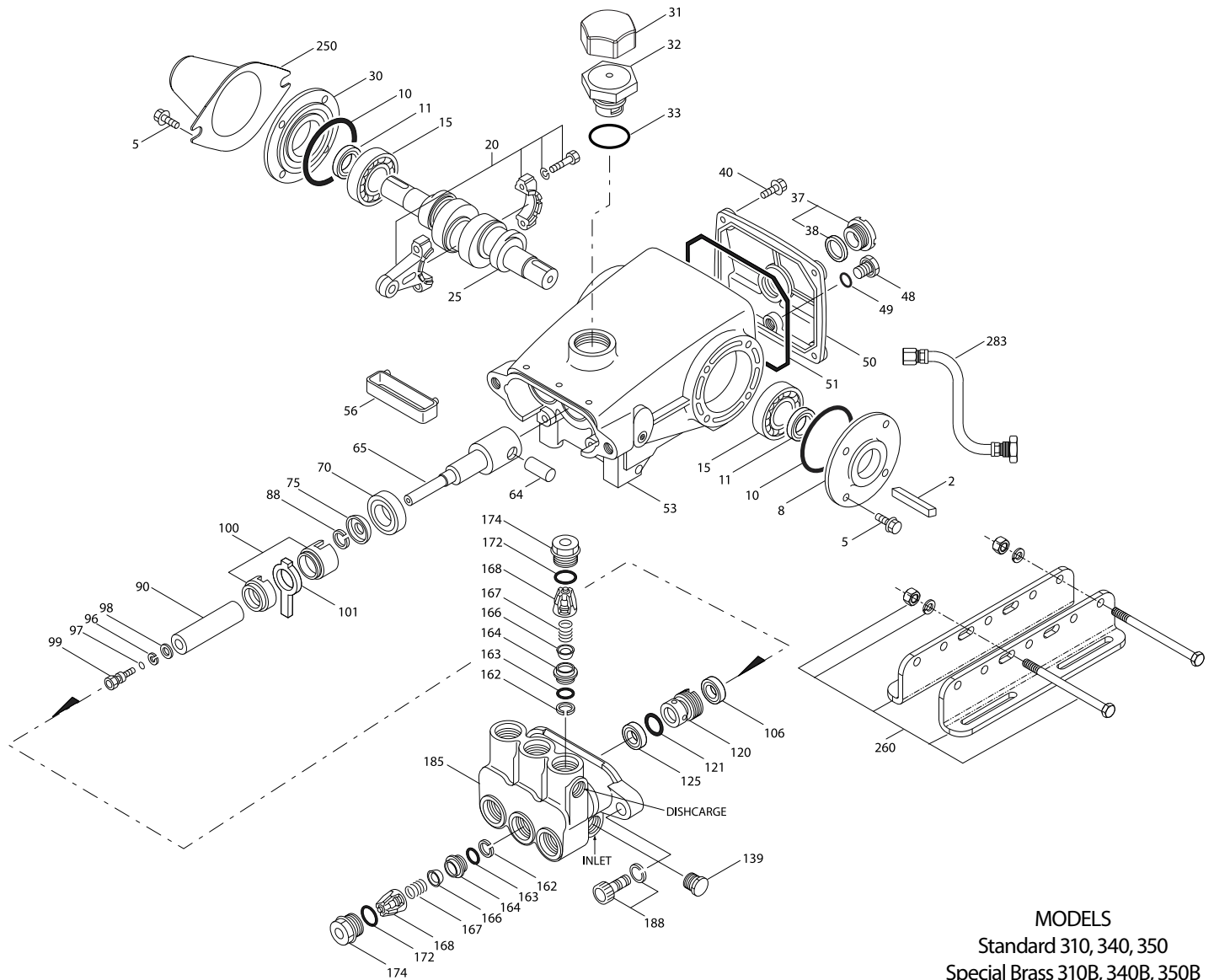
$$\frac{\text{Motor Pulley O.D.}}{\text{Pump rpm}} = \frac{\text{Pump Pulley O.D.}}{\text{Motor rpm}}$$

See complete Drive Packages [Incls: Pulleys, Belts, Hubs, Key] Tech Bulletin 003.
Refer to pump **Service Manual** for repair procedure and additional technical information.

PARTS LIST

ITEM	PART NUMBERS				DESCRIPTION	QTY
	310, 340 350	MATL	310B, 340B 350B	MATL		
2	30057	STL	30057	STL	Key (M6x6x25)	1
5	125824	STCP R	125824	STCP R	Screw, HHC, Sems (M6x16)	8
8	43344	AL	43344	AL	Cover, Bearing	2/1/2
10	43343	NBR	43343	NBR	O-Ring, Bearing Cover - 70D	2
11	43222	NBR	43222	NBR	Seal, Oil, Crankshaft	2/1/2
15	14480	STL	14480	STL	Bearing, Ball	2
20	45883	HS	45883	HS	Rod, Connecting Assy [09/05]	3
25	43342	FCM	43342	FCM	Crankshaft, Dual End - M18, 310, 310B	1
	44945	FCM	44945	FCM	Crankshaft, Single End -M10, 340, 340B	1
	43838	FCM	43838	FCM	Crankshaft, Dual End - M12, 350, 350B	1
30	44949	AL	44949	AL	Cover, Blind Shaft - 340, 340B	1
31	828710	—	828710	—	Protector, Oil Cap w/Foam Gasket	1
32	43211	ABS	43211	ABS	Cap, Oil Filler	1
33	14177	NBR	14177	NBR	O-Ring, Filler Cap - 70D	1
37	92241	—	92241	—	Gauge, Oil, Bubble w/Gasket	1
38	44428	NBR	44428	NBR	Gasket, Flat, Oil Gauge - 80D	1
40	126541	STCP R	126541	STCP R	Screw, HHC, Sems (M6x20)	4
48	25625	STCP	25625	STCP	Plug, Drain (1/4"x19 BSP)	1
49	23170	NBR	23170	NBR	O-Ring, Drain Plug - 70D	1
50	48772	AL	48772	AL	Cover, Rear [10/01] (See Tech Bulletin 090)	1
51	48773	NBR	48773	NBR	O-Ring, Rear Cover [10/01] (See Tech Bulletin 090)	1
53	48769	AL	48769	AL	Crankcase [05/02] (See Tech Bulletin 090)	1
56	43355	POP	43355	POP	Pan, Oil	1
64	43351	CM	43351	CM	Pin, Crosshead	3
65	43365	ZZCP	43365	ZZCP	Rod, Plunger	3
70	43228	NBR	43228	NBR	Seal, Oil, Crankcase	3
75	43328	S	43328	S	Slinger, Barrier	3
88	45697	S	45697	S	Washer, Keyhole (M18 x 10)	3
90	43367	CC	43367	CC	Plunger (M20x72)	3
96	43235	PTFE	43235	PTFE	Back-up-Ring, Plunger Retainer	3
97	17399	NBR	17399	NBR	O-Ring, Plunger Retainer - 80D	3
	14160	FPM	14160	FPM	O-Ring, Plunger Retainer - 80D	3
	◆ 46204	EPDM	◆ 46204	EPDM	O-Ring, Plunger Retainer - 70D	3
98	45891	CU	45891	CU	Gasket	3
99	104360	S	104360	S	Retainer, Plunger w/Stud	3
100	45688	PVDF	45688	PVDF	Retainer, Seal, 2-Pc [04/06] (See Tech Bulletin 105)	3
101	43302	—	43302	—	Wick, Long Tab	3
106	43305	NBR	43305	NBR	Seal, LPS w/S-Spg	3
	45153	FPM	45153	FPM	Seal, LPS w/SS-Spg	3
	◆ 48429	EPDM	◆ 48429	EPDM	Seal, LPS w/SS-Spg	3
	76305	ST2	76305	ST2	Seal, LPS w/S-Spg	3
120	45679	BB	45679	BB	Case, Seal	3
121	14200	NBR	14200	NBR	O-Ring, Seal Case - 70D	3
	11719	FPM	11719	FPM	O-Ring, Seal Case	3
	◆ 48907	EPDM	◆ 48907	EPDM	O-Ring, Seal Case	3
125	43307	SNG	43307	SNG	Seal, HPS w/S	3
	44936	FPM	44936	FPM	Seal, HPS w/SS	3
	46667	HT	46667	HT	Seal, HPS "Hi-Temp", 2-Pc w/S-Support	3
139	22179	BBCP	22179	BBCP	Plug, Inlet [1/2" NPT(M)]	1
162	48361	D	48361	D	Back-up-Ring, Seat	6
163	43358	NBR	43358	NBR	O-Ring, Seat - 70D	6
	44938	FPM	44938	FPM	O-Ring, Seat - 70D	6
	◆ 48908	EPDM	◆ 48908	EPDM	O-Ring, Seat	6
164	43725	S	43725	S	Seat	6
166	43723	S	43723	S	Valve	6
167	43750	S	43750	S	Spring, Valve	6
168	44565	PVDF	44565	PVDF	Retainer, Valve Spring	6
172	17615	NBR	17615	NBR	O-Ring, Valve Plug - 75D	6
	15855	FPM	15855	FPM	O-Ring, Valve Plug -70D	6
	◆ 48431	EPDM	◆ 48431	EPDM	O-Ring, Valve Plug -75D	6
174	43849	BBCP	43849	BBCP	Plug, Valve	6
185	44837	BBCP	49721	SBCP	Head, Manifold	1
188	126520	STCP R	126520	STCP R	Screw, HSH, Sems (M10x35)	2
250	118672	STCP	118672	STCP	Protector, Shaft (Belt Drive Only)	1
255	30243	STZP	30243	STZP	Mount, Direct (Belt Drive Only)	1
260	30611	STZP	30611	STZP	Mounting, Angle Rail (Belt Drive Only)	1
265	30659	—	30659	—	Mount, Assy (Incls: 30611, 30633, 118672) (Belt Drive Only)	1
270	30633	STL	30633	STL	Assy, Pulley & Key (Incls: 30058, 30057) (Belt Drive Only)	1
275	30944	STL	30944	STL	Assy, Hub & Key (Incls: 30057, 30945) (Belt Drive Only)	1

EXPLODED VIEW



MODELS
Standard 310, 340, 350
Special Brass 310B, 340B, 350B
May 2015

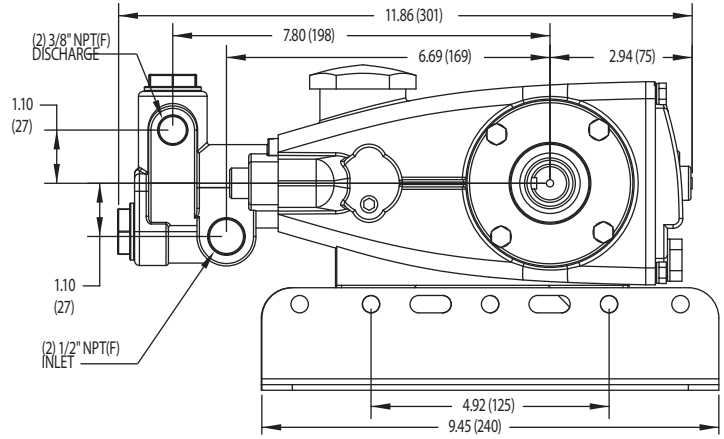
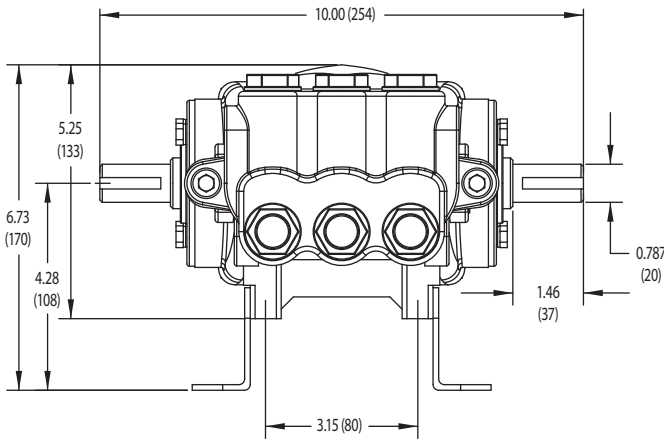
ITEM	PART NUMBERS		DESCRIPTION		QTY	
	310, 340 350	MATL	310B, 340B 350B	MATL		
283	34334	—	34334	—	<i>Kit, Oil Drain (3/8" x 24") (See Individual Data Sheet)</i>	1
	76334	—	76334	—	<i>Kit, Oil Indicator, (3/8" x 24) (See Individual Data Sheet)</i>	1
299	810027	BBCP	818471	SBCP	Head, Complete <i>Standard</i>	1
300	30623	NBR	30623	NBR	<i>Kit, Seal (Incls: 97, 101, 106, 121, 125) Standard</i>	1
	34155	FPM	34155	FPM	<i>Kit, Seal (Incls: 97, 101, 106, 121, 125) .0110</i>	1
	33623	HT	33623	HT	<i>Kit, Seal, "Hi-Temp" (Incls: 97, 101, 106, 121, 125) .3000</i>	1
	◆ 31163	EPDM*	◆ 31163	EPDM*	<i>Kit, Seal (Incls: 97, 101, 106, 121, 125) .0220</i>	1
310	30821	NBR	30821	NBR	<i>Kit, Valve, Preassembled (Incls: 162-164, 166-168, 172) Standard, .3000</i>	2
	31821	FPM	31821	FPM	<i>Kit, Valve, Preassembled (Incls: 162-164, 166-168, 172) .0110</i>	2
	◆ 31162	EPDM	◆ 31162	EPDM	<i>Kit, Valve, Preassembled (Incls: 162-164, 166-168, 172) .0220</i>	2
350	30696	STZP	30696	STZP	<i>Plier, Reverse</i>	1
351	33004	STZP	33004	STZP	<i>Socket, Seal Case (1/2" Drive)</i>	1
—	6107	—	6107	—	<i>Oil, Bottle (21 oz.) ISO-68 Hydraulic (Fill to specified crankcase capacity prior to start-up)</i>	1

Bold print part numbers are unique to a particular pump model. *Italics are optional items.* ◆ Silicone oil/grease required.

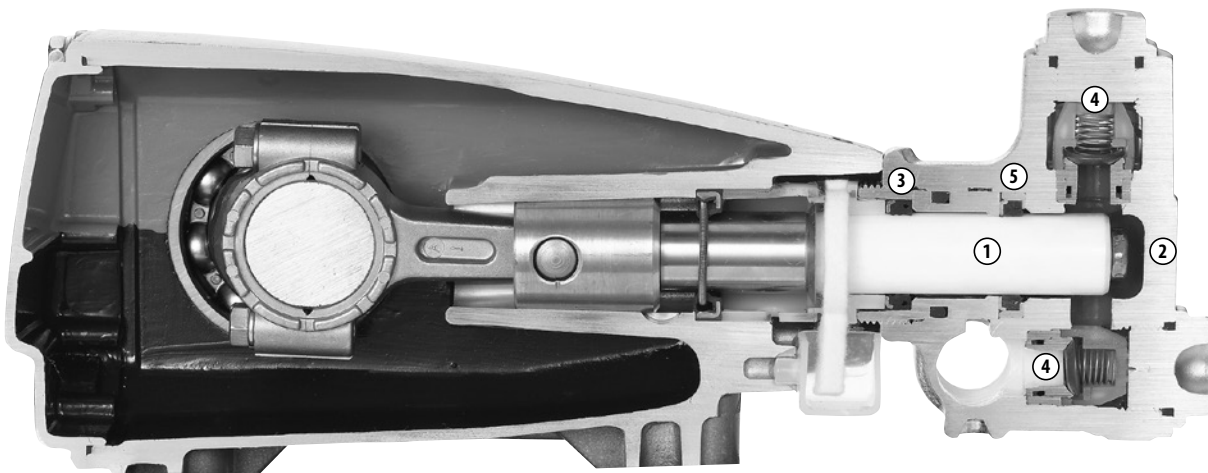
R Components comply with RoHS Directive. [] Date of latest production change. *Review individual parts in each kit for material code identification.

View Tech Bulletins 002, 003, 008, 024, 027, 032, 035, 036, 043, 045, 046, 049, 052, 053, 054, 073, 074, 077, 079, 083, 090, 105 for additional information.

MATERIAL CODES (Not Part of Part Number): ABS=ABS Plastic AL=Aluminum BB=Brass BBCP=Brass/Chrome Plated CC=Ceramic CM=Chrome-moly CU=Copper D=Acetal EPDM=Ethylene Propylene Diene Monomer FCM=Forged Chrome-moly FPM=Fluorocarbon HS=High Strength HT=High Temp (EPDM Alternative) NBR=Medium Nitrile (Buna-N) POP=Polypropylene PTFE=Pure Polytetrafluoroethylene PVDF=Polyvinylidene Fluoride S=304SS SBCP=Special Brass/Chrome Plated SNG=Special Blend (Buna) ST2=Special PTFE 2 STL=Steel STCP=Steel/Chrome Plated STZP=Steel/Zinc Plated ZZCP=Chrome Plated/Steel - Zamak



Models 310, 340, 350, 310B, 340B, 350B



- 1. Special concentric, high-density, polished, solid ceramic **plungers** provide a true wear surface and extended seal life.
- 2. **Manifolds** are a high tensile strength forged brass or special brass for long life, continuous duty and compatibility.
- 3. 100% wet **seal** design adds to service life by allowing pumped liquids to cool and lubricate on both sides.
- 4. Stainless steel **valves, seats and springs** provide corrosion-resistance, ultimate seating and extended life.
- 5. Specially formulated, Cat Pumps exclusive, **Hi-Pressure Seals** offer unmatched performance and seal life.

⚠ CAUTIONS AND WARNINGS

All High Pressure Systems require a primary pressure regulating device (i.e. regulator, unloader) and a secondary pressure relief device (i.e. pop-off valve, relief valve). Failure to install such relief devices could result in personal injury or damage to pump or property. Cat Pumps does not assume any liability or responsibility for the operation of a customer's high pressure system.

Read all CAUTIONS and WARNINGS before commencing service or operation of any high pressure system. The CAUTIONS and WARNINGS are included in each service manual and with each Accessory Data sheet. CAUTIONS and WARNINGS can also be viewed online at www.catpumps.com/cautions-warnings or can be requested directly from Cat Pumps.

WARRANTY

View the Limited Warranty on-line at www.catpumps.com/warranty.



CAT PUMPS
 1681 - 94TH LANE N.E. MINNEAPOLIS, MN 55449-4324
 PHONE (763) 780-5440 — FAX (763) 780-2958
 e-mail: techsupport@catpumps.com
www.catpumps.com