

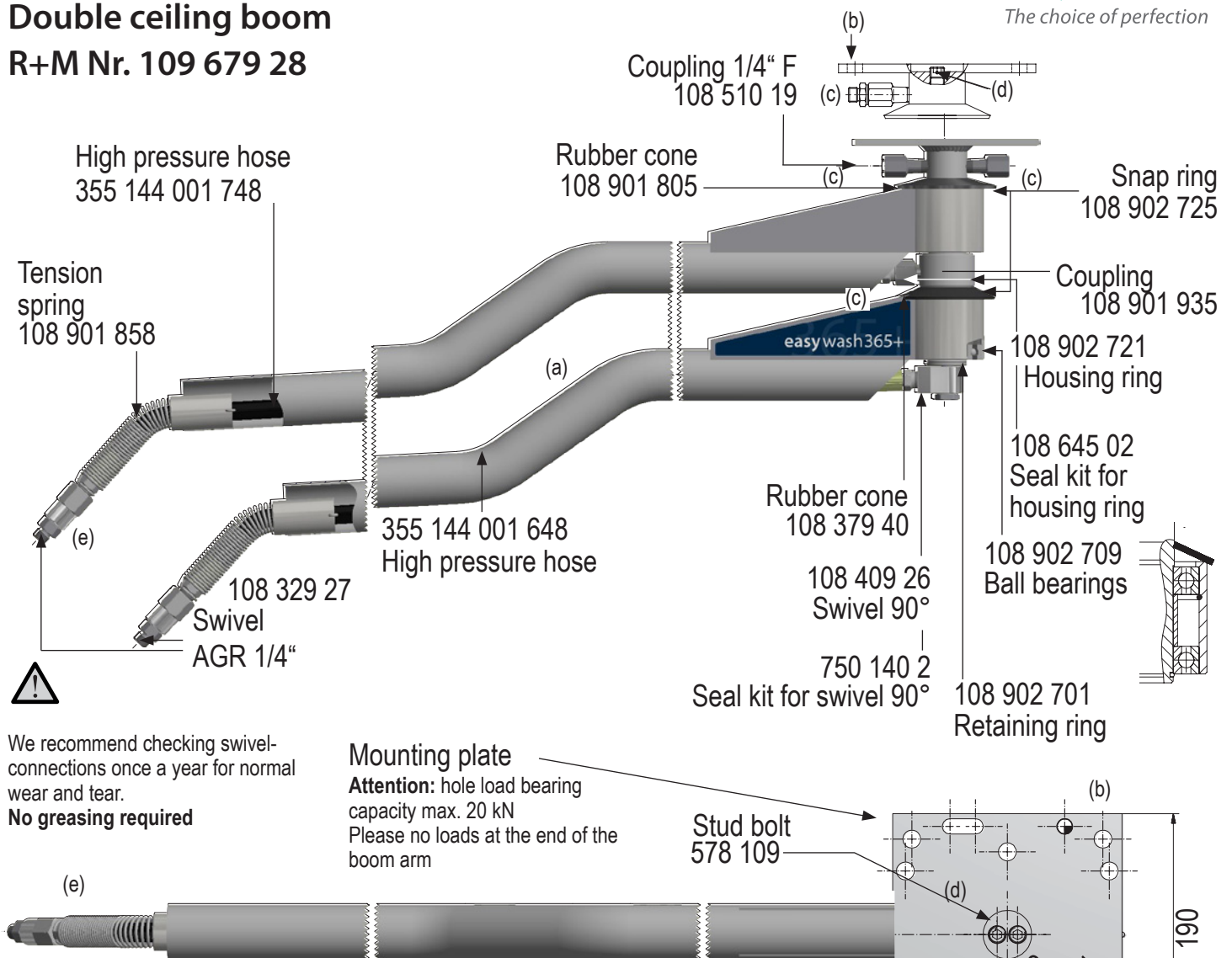
# easy wash 365+



The choice of perfection

## Double ceiling boom

R+M Nr. 109 679 28



We recommend checking swivel-connections once a year for normal wear and tear.  
**No greasing required**

**Mounting plate**  
**Attention:** hole load bearing capacity max. 20 kN  
Please no loads at the end of the boom arm

## Assembly instructions

1. Install the ceiling boom (a) with the mounting plate (b) to the concrete ceiling or to the steel beam.

**Attention:** bearable hole load (e.g.: bolt M12) at least 20 kN

2. Tightly fasten the high pressure hose or the high pressure pipe connection coming from the high pressure pump, to either top or side connection.

- for side inlet: mount adaptor (c) on the side and plug top inlet with stud bolt (d).

- for top inlet: mount adaptor (c) on top and plug side inlet with stud bolt (d).

3. Tightly fasten the high pressure hose with lance or brush to the swivel (e).

## For your own safety

- Read all instructions before the initial operation. Check their proper condition and that they operate safely.
- Our products should only be installed by experienced users of high pressure equipment
- Always use protection gear when using products connected to high pressure.
- Never direct any high pressure water-jet at humans, animals or electric installations.
- Before any maintenance or nozzle-change, turn off the high pressure water supply, e.g.: turn off and secure the power switch.
- Safety regulations and guidelines (Accident Prevention Rules) from the manufacturer of your high pressure cleaner are applicable.
- Nozzle installation according to Nozzle manufacturer.
- No modifications to the unit are permitted.

