

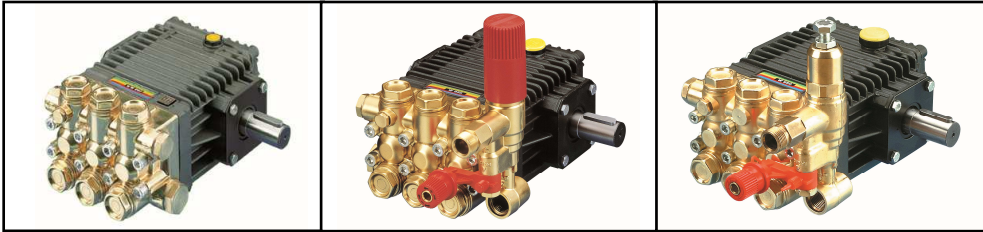


INTERPUMP GROUP

I GB	ISTRUZIONI D'USO INSTRUCTIONS FOR USE	F D	MODE D'EMPLOI BEDIENUNGSANLEITUNG	E P	INSTRUCCIONES DE USO INSTRUÇÕES DE USO
---------	--	--------	--------------------------------------	--------	---

Questo manuale deve essere letto e compreso in accordo al libretto generico "Istruzioni d'uso e manutenzione".
 This manual must be read and followed in accordance with the generic "Instructions for Use and Maintenance" booklet.
 Ce manuel doit être lu et compris en accord avec la notice générale " Mode d'emploi et d'entretien ".
 Dieses Handbuch ist in Verbindung mit dem allgemeinen Handbuch " Gebrauchs- und Wartungsanleitung " zu lesen und zu verstehen.
 Este manual debe leerse y comprenderse de acuerdo con el manual general "Instrucciones de uso y mantenimiento"
 Este manual deve ser lido e interpretado de acordo com o livro genérico "Instruções de uso e manutenção"

44




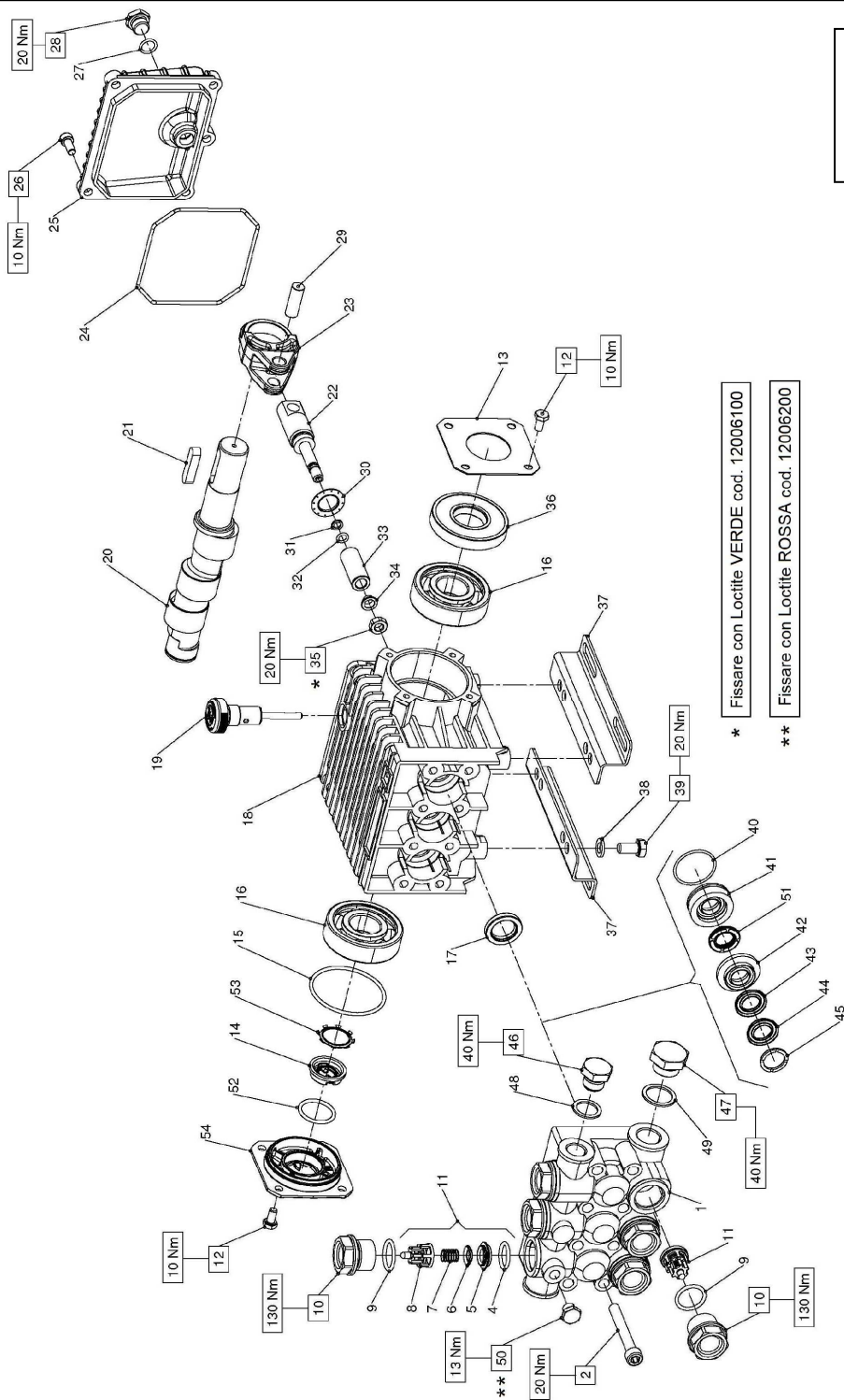
SERIES

Modello Model Modèle Modell Modelo Modelo	Portata Flow rate Débit Förderstrom Caudal Flujo		Pressione Pressure Pression Druck Presión Pressão			g/m rpm t/m upm r/m r/m	Potenza Power Puissance Leistung Potencia Poder		Peso Weight Poids Gewicht Peso Peso			Lt.
	L/min	gpm	bar	MPa	psi		Hp	kW	Kg	Ibs		
W150	8	2.11	150	15	2175	1450	3.0	2.20	7.9	17.4	0.4	
W130	9.5	2.11	130	13	1885	1450	3.0	2.20	7.9	17.4	0.4	
W130HH	9.5	2.11	130	13	1885	1450	3.0	2.20	7.9	17.4	0.4	
W170	9.5	2.50	170	17	2465	1450	4.0	2.94	7.9	17.4	0.4	
W112	12	2.50	100	10	1450	1450	3.0	2.20	7.7	17.0	0.4	
W140	12	3.17	140	14	2030	1450	4.0	2.94	7.7	17.0	0.4	
W140HH	12	3.17	140	14	2030	1450	4.0	2.94	7.7	17.0	0.4	
W200	12	3.17	200	20	2900	1450	6.0	4.41	7.7	17.0	0.4	
W97	14	3.69	90	9	1300	1450	3.0	2.20	7.7	17.0	0.4	
W124	14	3.69	120	12	1750	1450	4.0	2.94	7.7	17.0	0.4	
W154	14	3.69	150	15	2175	1450	5.5	4.04	7.7	17.0	0.4	
W154HH	14	3.69	150	15	2175	1450	5.5	4.04	7.7	17.0	0.4	
W204	14	3.69	200	20	2900	1450	7.3	5.37	7.7	17.0	0.4	
W950	9.5	2.50	165	16.5	2400	1750	4.0	2.94	7.9	17.4	0.4	
W951	11.5	3.04	103	10.3	1500	1750	3.0	2.20	7.9	17.4	0.4	
W952	11.5	3.04	138	13.8	2000	1750	4.0	2.94	7.9	17.4	0.4	
W953	11.5	3.04	172	17.2	2500	1750	5.0	3.67	7.9	17.4	0.4	
W954	13.6	3.60	90	9	1300	1750	3.0	2.20	7.7	17.0	0.4	
W955	13.6	3.60	117	11.7	1700	1750	4.0	2.94	7.7	17.0	0.4	
W956	13.6	3.60	145	14.5	2100	1750	5.0	3.67	7.7	17.0	0.4	
W14200	13.6	3.60	200	20	2900	1750	7.0	5.14	7.7	17.0	0.4	
W957	15.9	4.20	76	7.6	1100	1750	3.0	2.20	7.7	17.0	0.4	
W958	15.9	4.20	96	9.6	1400	1750	4.0	2.94	7.7	17.0	0.4	
W959	15.9	4.20	124	12.4	1800	1750	5.0	3.67	7.7	17.0	0.4	
W16180	15.9	4.20	180	18	2610	1750	7.5	5.51	7.7	17.0	0.4	



44**S
E
R
I
E
S**

Modello Model Modèle Modell Modelo Modelo	Portata Flow rate Débit Förderstrom Caudal Fluxo		Pressione Pressure Pression Druck Presión Pressão			g/m rpm t/m upm r/m r/m	Potenza Power Puissance Leistung Potencia Poder		Peso Weight Poids Gewicht Peso Peso		
	L/min	gpm	bar	MPa	psi		Hp	kW	Kg	Ibs	
WW186	13	3.43	180	18	2610	2800	5.5	4.04	7.9	17.4	0.4
WW206	13	3.43	200	20	2900	2800	7.5	5.51	7.9	17.4	0.4
WW116	15	3.96	110	11	1600	2800	4.0	2.94	7.9	17.4	0.4
WW156	15	3.96	150	15	2175	2800	5.5	4.04	7.9	17.4	0.4
WW209	15	3.96	200	20	2900	2800	7.5	5.51	7.9	17.4	0.4
WW189	16	4.22	180	18	2610	2800	7.5	5.51	7.9	17.4	0.4
WW136	17	4.50	130	13	1885	2800	5.5	4.04	7.9	17.4	0.4
WW176	17	4.50	170	17	2465	2800	7.5	5.51	7.9	17.4	0.4
WW966	11	2.90	250	25	3600	3400	7.5	5.51	8.7	19.2	0.4
WW967	13	3.43	250	25	3600	3400	8.5	6.25	8.7	19.2	0.4
WW960	13.2	3.48	172	17.2	2500	3400	5.5	4.04	8.7	19.2	0.4
WW961	15	3.96	172	17.2	2500	3400	6.5	4.77	8.7	19.2	0.4
WW968	15	3.96	250	25	3600	3400	10	7.35	8.7	19.2	0.4
WW962	17.4	4.60	172	17.2	2500	3400	7.5	5.51	8.7	19.2	0.4



* Fissare con Loctite VERDE cod. 12006100

** Fissare con Loctite ROSSA cod. 12006200

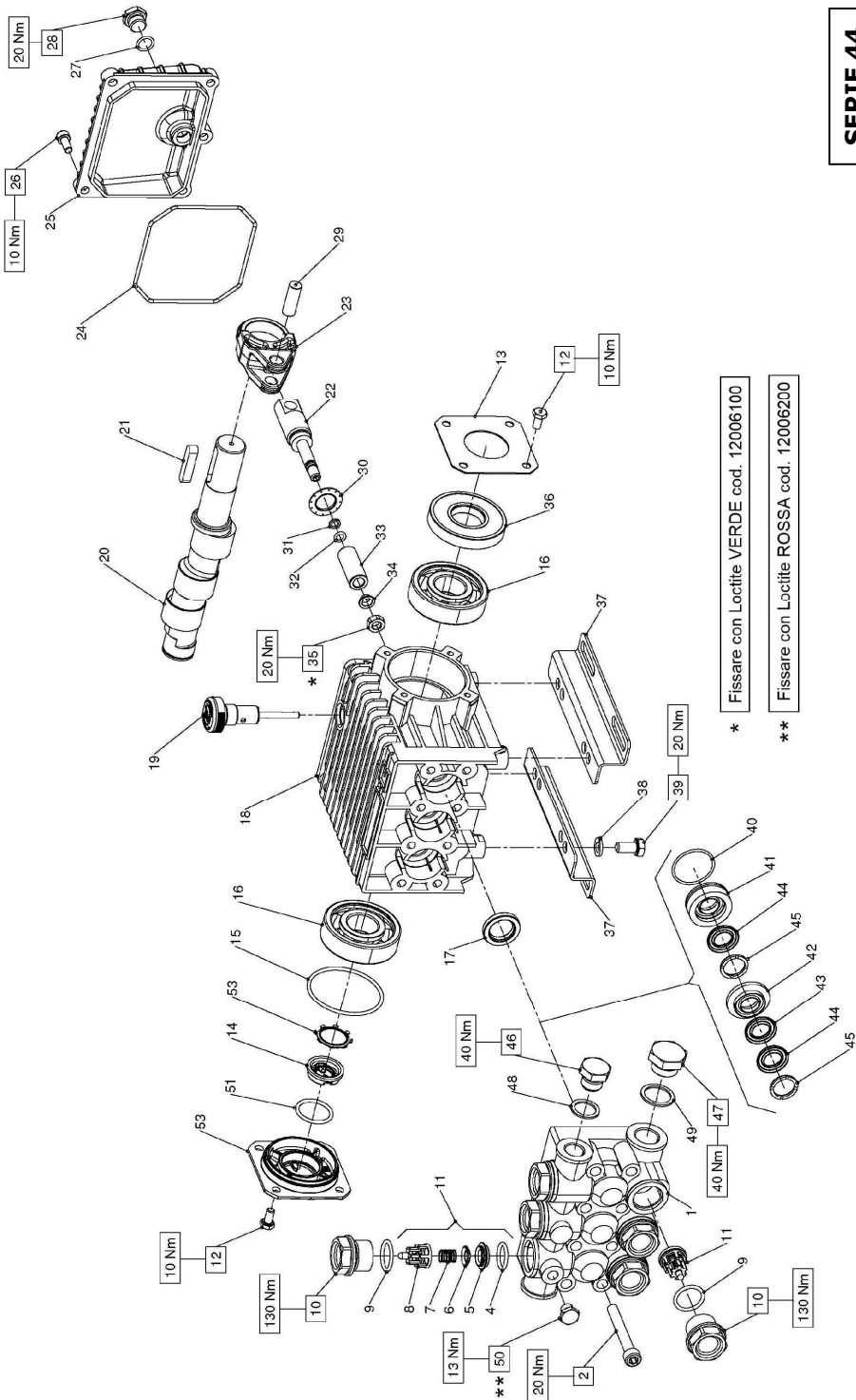
KIT RICAMBI - SPARE KITS		OTTONE BRASS						PISTONE - PISTON D. 15						PISTONE - PISTON D. 18					
KIT Nr.	Posizioni include Positions included	KIT 23	KIT 123	KIT 124	KIT 158	KIT 88	KIT 89	KIT 90	KIT 125	KIT 130	KIT 126	KIT 127	KIT 128	KIT 129	KIT 131				
17	4 - 5 - 6 7 - 8 (11)	9 - 10	9 - 10	9 - 10	43 - 44 51	42	45	40 - 41 44 - 45 51	40 - 41 42 - 43 44 - 45 51	40 - 41 42 - 43 44 - 45 51	43 - 44 51	42	45	40 - 41 42 - 43 44 - 45 51					
3	Nr. Pcs.	6	6	6	6	3	3	3	3	3	3	3	3	3	6				

D.15		D.18	
W130 - W150 - W170 - W950 W951 - W952 - W953 WW116 - WW136 - WW156 WW176 - WW186 - WW189 WW206 - WW209 - WW960 WW961 - WW962	W97 - W112 - W124 W140 - W154 - W954 W955 - W956 - W957 W958 - W959	W200 - W204 W14200 - W16180	

POS	COD.	DESCRIZIONE - DESCRIPTION - KIT	NR
1	44.1200.41 44.1204.41 44.1207.41	Testata pompa D. 15 Testata pompa D. 18 Testata pompa D. 18 - NICKEL	1
2	99.3175.00	Vite M8x60 UNI 5931	8
4	90.3841.00	OR D. 17.13x2.62 NBR 70SH 3068	123
5	36.2003.66	Sede valvola	123
6	36.2001.76	Valvola	123
7	94.7376.00	Molla Dm. 9.4x14.8	123
8	36.2025.51	Guida valvola	123
9	90.3847.00	OR D. 20.29x2.62 NBR 90SH 3081 124 158	6
10	98.2226.00 98.2225.00	Tappo M24x1.5x17 Tappo M24x1.5x17 - NICKEL	124 158
11	36.7115.01	Gr. valvola aspiraz. / mandata	123
12	99.1807.00	Vite M6x10 UNI 5739	8
13	50.1500.74	Coperchio carter	1
14	53.2108.51	Vetrino spia livello olio	1
15	90.3898.00	OR D. 56.82x2.62 NBR 70SH 3225	1
16	91.8331.00	Cuscinetto a sfere	2
17	90.1614.00	Anello rad. D. 20.0x30.0x5.0	23
18	44.0100.22	Carter pompa	1
19	98.2103.00	Tappo carico olio G 3/8"	1

POS	COD.	DESCRIZIONE - DESCRIPTION - KIT	NR
20	44.0205.35 44.0206.35	Albero ecc. C. 12.0 - WW189 Albero ecc. C. 13.0 - W97 W124 W130 W154 W170 W951 W952 W953 W957 W958 W959 WW136 WW176 W204 W16180	1
21	91.4892.00	Linguetta 8X7x35 UNI 6604	1
22	44.0500.66	Guida pistone	3
23	44.0300.22	Biella	3
24	90.3920.00	OR D.101.27x2.62 NBR 70SH 3400	1
25	44.1600.22	Coperchio posteriore	1
26	99.1837.00	Vite M6x14 UNI 5931	5
27	90.3585.00	OR D. 10.82x1.78 NBR 70SH 2043	1
28	98.2042.50	Tappo G 1/4"x9 TE17 - Zinc.	1
29	97.7340.00	Spinotto D. 10x29.5	3
30	96.7350.00	Rosetta D. 16.0x27.0x1.7/0.7	3
31	90.5022.00	Anello antiest. D. 6.2x9.0x1.5	3
32	90.3572.00	OR D. 5.28x1.78 NBR 2021	3
33	52.0400.09 44.0401.09	Pistone D. 15x37.5 Pistone D. 18x37.5	3
34	44.2115.70	Rosetta D. 8 con collare	3
35	92.2216.00	Dado M8x13x5	3
36	90.1641.00	Anello rad. D. 25.0x62.0x10.0	1
37	50.2000.74	Piede pompa	2
38	96.7016.00	Rosetta D. 8.4x14.4x2.0	4
39	99.3037.00	Vite M8x16 UNI 5739	4
40	90.3612.00	OR D. 31.47x1.78 NBR 70SH 2125 125 126 130 131	3

POS	COD.	DESCRIZIONE - DESCRIPTION - KIT	NR
41	44.0800.70 44.0801.70	Anello di fondo D. 15 Anello di fondo D. 18	125 130 126 131
42	52.2166.70 44.2161.70	Anello intermedio D. 15 Anello intermedio D. 18	89 130 128 131
43	90.2622.00 90.2683.00	Anello RESTOP D. 15.0x25.0x5.0/3.1 Anello RESTOP D. 18.0x30.0x6.0/3.5 127 131	88 130 88 130 127 131
44	90.2620.00 90.2682.00	An. ten. alt. D. 15.0x25x5.0/3.0 HP An. ten. alt. D. 18.0x30.0x6.0/3.5 HP	88 130 127 131
45	51.1000.51 44.1001.51	Anello di testa D. 15 Anello di testa D. 18	90 130 129 131
46	98.2100.00	Tappo G 3/8"x13	1
47	98.2176.00	Tappo G 1/2"x10	1
48	96.7380.00	Rosetta D. 17.5x23.0x1.5	1
49	96.7514.00	Rosetta D. 21.5x27.0x1.5	1
50	98.1966.00	Tappo G 1/8"x8	1
51	90.2617.00 90.2684.00	Anello ten. alt. D. 15.0x25.0x5.8 LP Anello ten. alt. D. 18.0x30.0x6.8 LP	88 130 127 131
52	90.3859.00	OR D. 25.07x2.62 NBR 70SH 3100	1
53	90.0671.00	Anello d'arresto Z130	1
54	53.1500.22	Coperchio laterale	1



* Fissare con Loctite VERDE cod. 12006100

** Fissare con Loctite ROSSA cod. 12006200

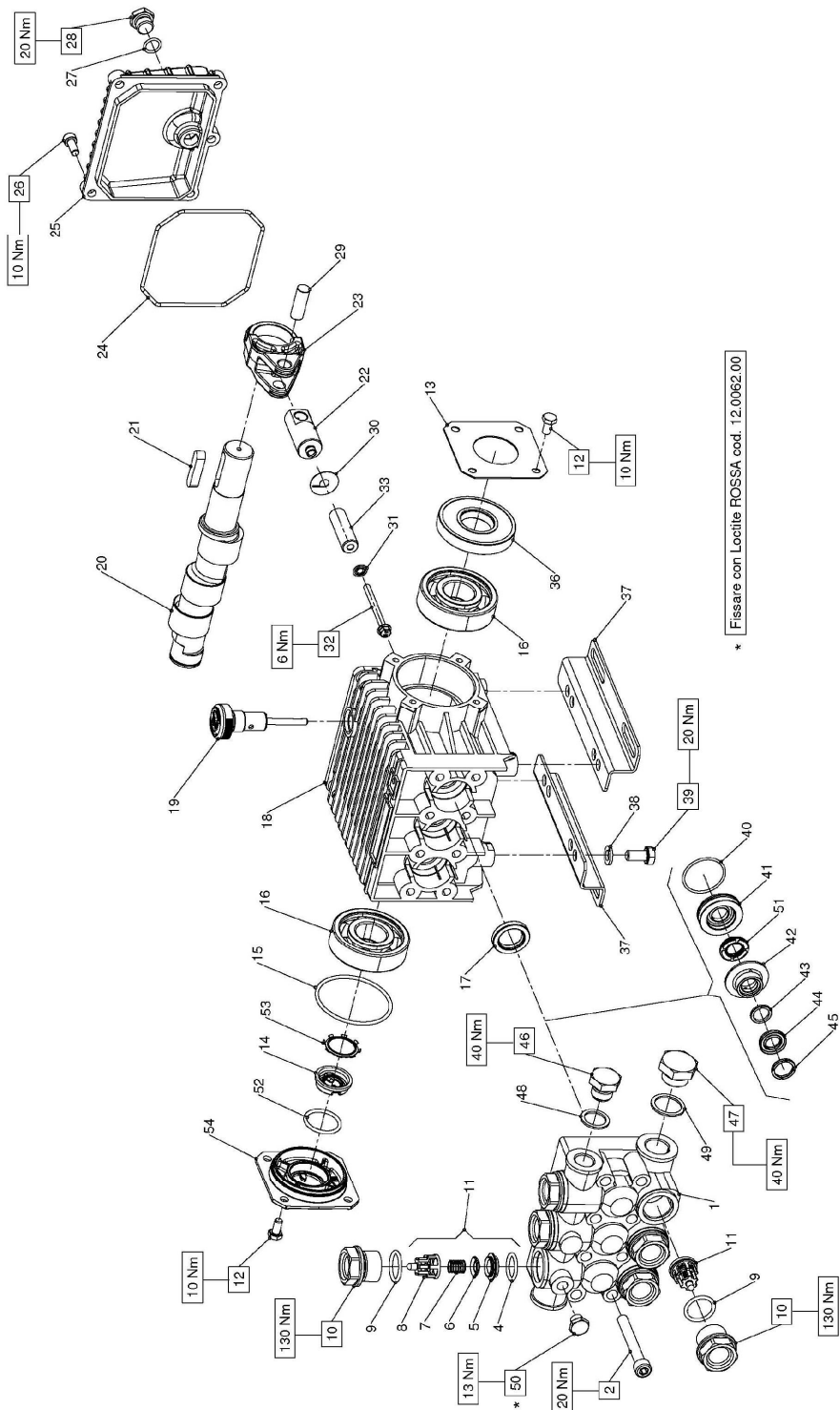
W130HH - W140HH - W154HH

D. 15		D. 18	
W130HH		W140HH - W154HH	
POS	COD.	DESCRIZIONE - DESCRIPTION - KIT	NR
1	44.1200.41	Testata pompa D. 15	1
	44.1204.41	Testata pompa D. 18	
2	99.3175.00	Vite M8x60 UNI 5931	8
4	90.3841.00	OR D. 17.13x2.62 NBR 70SH 3068 123	6
5	36.2003.66	Sede valvola	123
6	36.2001.76	Valvola	123
7	94.7376.00	Molla Dm. 9.4x14.8	123
8	36.2025.51	Guida valvola	123
9	90.3847.00	OR D. 20.29x2.62 NBR 90SH 3081	6
10	98.2226.00	Tappo M24x1.5x17	124
11	36.7115.01	Gr. valvola aspiraz. / mandata	123
12	99.1807.00	Vite M6x10 UNI 5739	8
13	50.1500.74	Coperchio carter	1
14	53.2108.51	Vetrino spia livello olio	1
15	90.3898.00	OR D. 56.82x2.62 NBR 70SH 3225	1
16	91.8331.00	Cuscinetto a sfere	2
17	90.1614.00	Anello rad. D. 20.0x30.0x5.0	23
18	44.0100.22	Carter pompa	1
19	98.2103.00	Tappo carico olio G 3/8"	1
20	44.0203.35	Albero ecc. C. 11.0 - W140HH	1
	44.0206.35	Albero ecc. C. 13.0 - W130HH W154HH	
21	91.4892.00	Linguetta 8x7x35 UNI 6604	1
22	44.0500.66	Guida pistone	3
23	44.0300.22	Biella	3
24	90.3920.00	OR D.101.27x2.62 NBR 70SH 3400	1

KIT RICAMBI - SPARE KITS

KIT Nr.	KIT 0023	KIT 0123	KIT 0124	PISTONE - PISTON D. 15			PISTONE - PISTON D. 18				
				KIT 0250	KIT 0089	KIT 0090	KIT 0125	KIT 0126	KIT 0251	KIT 0128	KIT 0129
Posizioni incluse Positions included	17	4 - 5 6 - 7 - 8 (11)	9 - 10	43 - 44	42	45	40 - 41	40 - 41	43 - 44	42	45
Nr. Pcs.	3	6	6	3+6	3	6	3	3	3+6	3	6

POS	COD.	DESCRIZIONE - DESCRIPTION - KIT	NR
25	44.1600.22	Coperchio posteriore	1
26	99.1837.00	Vite M6x14 UNI 5931	5
27	90.3585.00	OR D. 10.82x1.78 NBR 70SH 2043	1
28	98.2042.50	Tappo G 1/4"x9 TE17 - Zinc.	1
29	97.7340.00	Spinotto D. 10x29.5	3
30	96.7350.00	Rosetta D. 16.0x27.0x1.7/0.7	3
31	90.5022.00	Anello antiest. D. 6.2x9.0x1.5	3
32	90.3572.00	OR D. 5.28x1.78 NBR 2021	3
33	52.0400.09	Pistone D. 15x37.5	3
	44.0401.09	Pistone D. 18x37.5	
34	44.2115.70	Rosetta D. 8 con collare	3
35	92.2216.00	Dado M8x13x5	3
36	90.1641.00	Anello rad. D. 25.0x62.0x10.0	1
37	50.2000.74	Piede pompa	2
38	96.7016.00	Rosetta D. 8.4 UNI 1751	4
39	99.3037.00	Vite M8x16 UNI 5739	4
40	90.3612.00	OR D. 31.47x1.78 NBR 70SH 2125	3
		125 126	
41	44.0800.70	Anello di fondo D. 15	125
	44.0801.70	Anello di fondo D. 18	126
42	52.2166.70	Anello intermedio D. 15	89
	44.2161.70	Anello intermedio D. 18	128
43	90.2622.00	Anello RESTOP D. 15.0x25.0x5.0/3.1 250	3
	90.2683.00	Anello RESTOP D. 18.0x30.0x6.0/3.5 251	
44	90.2620.00	An. ten. alt. D. 15.0x25x5.0/3.0 HP	250
	90.2682.00	An. ten. alt. D. 18.0x30.0x6.0/3.5 HP	251
45	51.1000.51	Anello di testa D. 15	90
	44.1001.51	Anello di testa D. 18	129
46	98.2100.00	Tappo G 3/8"x13	1



* Fissare con Loctite ROSSA cod. 12.0062.00

KIT RICAMBI - SPARE KITS

KIT Nr.	KIT 0023	KIT 0123	KIT 0152	KIT 0153	KIT 0154	KIT 0155	KIT 0156
Posizioni incluse Positions Included (11)	17	4 - 5 6 - 7 - 8 (11)	40 - 41	43 - 44 51	42	45	40 - 41 42 - 43 44 - 45 51
Nr. Pcs.	3	6	3	3	3	6	3

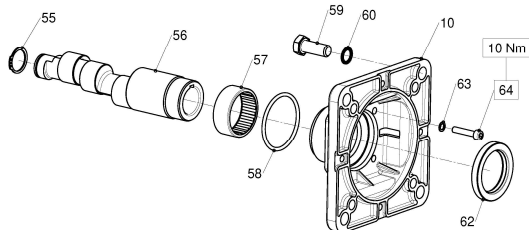
WW966 - WW967 - WW968

POS	COD.	DESCRIZIONE - DESCRIPTION - KIT	NR
1	44.1206.41	Testata pompa D. 13	1
2	99.3175.00	Vite M8x60 UNI 5931	8
4	90.3841.00	OR D. 17.13x2.62 NBR 70SH 3068 123	6
5	36.2003.66	Sede valvola	123
6	36.2001.76	Valvola	123
7	94.7376.00	Molla Dm. 9.4x14.8	123
8	36.2025.51	Guida valvola	123
9	90.3847.00	OR D. 20.29x2.62 NBR 90SH 3081	6
10	98.2226.00	Tappo M24x1.5x17	6
11	36.7115.01	Gr. valvola aspiraz. / mandata	123
12	99.1807.00	Vite M6x10 UNI 5739	8
13	50.1500.74	Coperchio carter	1
14	53.2108.51	Vetrino spia livello olio	1
15	90.3898.00	OR D. 56.82x2.62 NBR 70SH 3225	1
16	91.8331.00	Cuscinetto a sfere	2
17	90.1614.00	Anello rad. D. 20.0x30.0x5.0	23
18	44.0100.22	Carter pompa	1
19	98.2103.00	Tappo carico olio G 3/8"	1
44.0200.35	Albero ecc. C. 9.5 - WW966		
44.0203.35	Albero ecc. C. 11.0 - WW967		
44.0206.35	Albero ecc. C. 13.0 - WW968		
21	91.4892.00	Linguetta 8x7x35 UNI 6604	1
22	44.0502.66	Guida pistone M5	3
23	44.0300.22	Biella	3
24	90.3920.00	OR D.101.27x2.62 NBR 70SH 3400	1
25	44.1600.22	Coperchio posteriore	1
26	99.1837.00	Vite M6x14 UNI 5931	5
27	90.3585.00	OR D. 10.82x1.78 NBR 70SH 2043	1
28	98.2042.50	Tappo G 1/4"x9 TE17 - Zinc.	1

POS	COD.	DESCRIZIONE - DESCRIPTION - KIT	NR
29	97.7340.00	Spinotto D. 10.0x29.5	3
30	96.6990.00	Rosetta D. 7.5x23.0x0.5	3
31	96.6905.00	Rosetta D. 5.0x11.5x0.4	3
32	99.1690.00	Vite M5x55	3
33	58.0400.09	Pistone D. 13x42	3
36	90.1641.00	Anello rad. D. 25.0x62.0x10.0	1
37	50.2000.74	Piede pompa	2
38	96.7016.00	Rosetta D. 8.4 UNI 1751	4
39	99.3037.00	Vite M8x16 UNI 5739	4
40	90.3612.00	OR D. 31.47x1.78 NBR 70SH 2125 152 156	3
41	44.0803.70	Anello di fondo D. 13	152 156
42	44.2162.70	Anello intermedio D. 13	154 156
43	90.5076.00	Anello antiest. D. 13.0x17.0x2.0	153 156
44	90.2602.00	Anello ten. alt. D. 13.0x21.0x4.0 HP 153 156	3
45	44.1002.51	Anello di testa D. 13	155 156
46	98.2100.00	Tappo G 3/8"x13	1
47	98.2176.00	Tappo G 1/2"x10	1
48	96.7380.00	Rosetta D. 17.5x23.0x1.5	1
49	96.7514.00	Rosetta D. 21.5x27.0x1.5	1
50	98.1966.00	Tappo G 1/8"x8	1
51	90.2603.00	Anello ten. alt. D. 13.0x23.0x5.8 LP 153 156	3
52	90.3859.00	OR D. 25.7x2.62 NBR 70SH. 3100	1
53	90.0671.00	Anello d'arresto Z130	1
54	53.1500.22	Coperchio laterale	1

VERSION A (for electric motors NEMA 184 TC)

**W950 - W951 - W952 - W953 - W954 - W955 - W956 - W957
W958 - W959 - W14200 - W16180 - WW964 - WW965
WW967 - WW968**

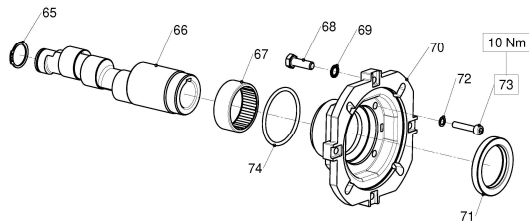


DIS. COD. 44.9501.00_0

POS	COD.	DESCRIZIONE - DESCRIPTION	NR
55	90.0635.00	Anello di fermo Ø 25	1
56	44.0214.65	Albero ecc. C. 11.0 - W950 W954 W955 W956 W14200 WW964 WW967	1
	44.0216.65	Albero ecc. C. 13.0 - W951 W952 W953 W957 W958 W959 W16180 WW965 WW968	
57	91.8568.00	Boccola a rullini	1
58	90.4097.00	OR D. 55.56x3.53 NBR 70SH 159	1
59	99.4600.00	Vite 1/2"-13x1- 1/4"	4
60	96.7195.00	Rosetta D. 13.0x18.0x1.1	4
61	10.0504.22	Flangia per motore elettrico	1
62	90.1690.00	Anello rad. D. 45.0x62.0x8.0	1
63	96.6938.00	Rosetta D. 6.4x10.0x0.7	4
64	99.1912.00	Vite M6x30 UNI 5931	4

VERSION B (for electric motors IEC 100-112 B14)

**W97 - W112 - W124 - W130 - W130HH - W140 - W140HH
W150 - W154 - W154HH - W170 - W200 - W204 - WW116
WW136 - WW156 - WW176 - WW186 - WW206 - WW209**

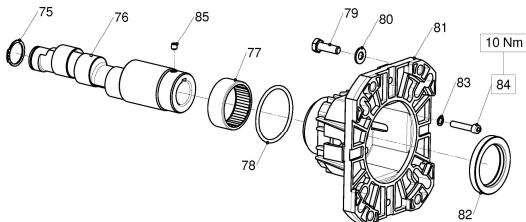


DIS. COD. 44.9502.00_0

POS	COD.	DESCRIZIONE - DESCRIPTION	NR
65	90.0635.00	Anello arresto A25 UNI7435	1
66	44.0213.65	Albero ecc. C. 11.0 - W112 W140 W150 WW116 WW156 WW209 W200 W140HH	1
	44.0215.65	Albero ecc. C. 13.0 - W97 W124 W130 W154 W170 WW136 WW176 W204 W130HH W154HH	
	44.0210.65	Albero ecc. C. 9.5 - WW186 WW206	
67	91.8568.00	Boccola a rullini	1
68	99.3067.00	Vite M8x25 UNI 5739	4
69	96.7014.00	Rosetta D. 8.4x13.0x0.8	4
70	10.0494.22	Flangia per motore elettrico	1
71	90.1690.00	Anello rad. D. 45.0x62.0x8.0	1
72	96.6938.00	Rosetta D. 6.4x10.0x0.7	4
73	99.1912.00	Vite M6x30 UNI 5931	4
74	90.4097.00	OR D. 55.56x3.53 NBR 70SH 159	1

VERSION C (for gasoline engines SAE J 609 type B ext.4)

**WW960 - WW961 - WW962
WW966 - WW967 - WW968**



DIS. COD. 44.9503.00_0

POS	COD.	DESCRIZIONE - DESCRIPTION	NR
75	90.0635.00	Anello arresto A25 UNI7435	1
76	44.0220.65	Albero ecc. C. 8.5 - WW960	1
	44.0209.65	Albero ecc. C. 9.5 - WW961 WW963 WW966	
	44.0212.65	Albero ecc. C. 11.0 - WW962 WW964 WW967	
	44.0221.65	Albero ecc. C. 13.0 - WW965 WW968	
77	91.8568.00	Boccola a rullini	1
78	90.4097.00	OR D. 55.56x3.53 NBR 70SH 159	1
79	99.2755.00	Vite 5/16"-24x1"	4
	99.3346.00	Vite 3/8"-16x1"-1/4	
80	96.7020.00	Rosetta D. 8.4x15.0x1.5	4
	96.7104.00	Rosetta D. 10.5x16.0x1.0	
81	10.0518.22	Flangia per motore a scoppio	1
82	90.1690.00	Anello rad. D. 45.0x62.0x8.0	1
83	96.6938.00	Rosetta D. 6.4x10.0x0.7	4
84	99.1912.00	Vite M6x30 UNI 5931	4
85	99.1790.00	Vite M6x6 UNI 5929	1

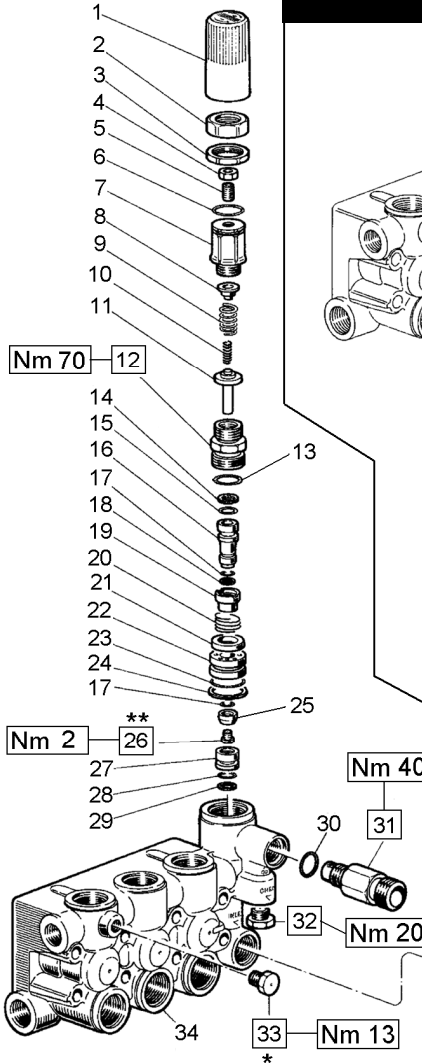
VH VERSION

VERSIONE CON VALVOLA DI REGOLAZIONE AUT. – VERSION WITH BUILT-IN AUT. UNLOADER
 VERSION AVEC RÉGULATEUR AUT. DE PRESSION INCORPORÉ
 AUSFÜHRUNG MIT EINGEBAUTEM AUT. DRUCKREGULIERVENTIL

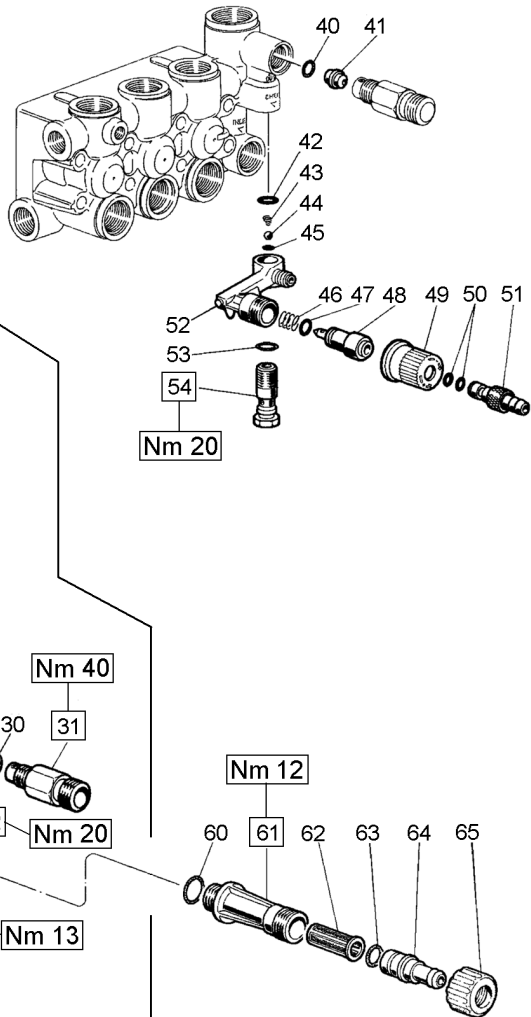
VERSIÓN CON REGULADOR AUT. DE PRESIÓN INCORPORADO - VERSÃO COM VÁLVULA DO REGULAMENTO AUT.

- * Fissare con Loctite 542 col. ROSSO
- * Affix with Loctite 542 col. RED
- * Fixer avec de la Loctite 542 couleur ROUGE
- * Mit Loctite 542 ROT befestigen
- * Fijar con Loctite 542 col. ROJO
- * Fixar com Loctite 542 cor. VERMELHA

- ** Fissare con Loctite 270 col. VERDE
- ** Affix with Loctite 270 col. GREEN
- ** Fixer avec de la Loctite 270 couleur VERT
- ** Mit Loctite 270 GRÜN befestigen
- ** Fijar con Loctite 270 col. VERDE
- ** Fixar com Loctite 270 cor. VERDE



OPTIONALS



VH VERSION

VERSIONE CON VALVOLA DI REGOLAZIONE AUT. – VERSION WITH BUILT-IN AUT. UNLOADER
VERSION AVEC RÉGULATEUR AUT. DE PRESSION INCORPORÉ
AUSFÜHRUNG MIT EINGEBAUTEM AUT. DRUCKREGULIERVENTIL
VERSIÓN CON REGULADOR AUT. DE PRESIÓN INCORPORADO - VERSÃO COM VÁLVULA DO REGULAMENTO AUT.

POS	COD.	DESCRIZIONE – DESCRIPTION - KIT	N
1	36.3187.51	Pomolo	1
2	36.3186.70	Ghiera – OPTIONAL	1
3	92.2935.00	Dado M28x1.5 - OPTIONAL	1
4	92.2218.00	Dado M8x13 UNI 5589	1
5	99.3054.00	Vite M8x20 UNI 5923	1
6	90.3598.00	OR D. 20.35x1.78 NBR 70SH 2081	1
7	36.3185.70	Registro pressione	1
8	36.3169.70	Piattello molla	1
9	94.7436.00	Molla Dm. 15.0x35.0	1
10	94.7345.00	Molla Dm. 7.6x29.0	1
11	36.3233.70	Piattello inferiore molla	1
12	36.3228.70	Boccola di guida	1
13	90.3857.00	OR D. 23.81x2.62 NBR 70SH 132	1
14	90.5052.00	Anello antiest. D. 9.6x14.0x1.5	137 1
15	90.3820.00	OR D. 9.13x2.62 – Spec. – 109	137 1
16	36.3234.70	Pistoncino di comando	137 1
17	90.3575.00	OR D. 6.75x1.78 – Spec. – 106	137 2
18	90.5025.00	Anello antiest. D. 7.0x10.0x1.5	137 1
19	36.3230.70	Distanziale	137 1
20	94.7485.00	Molla Dm. 18.5x11.5	137 1
21	36.3231.51	Valvola	137 1
22	36.3229.70	Guida valvola	137 1
23	90.3600.00	OR D. 21.95x1.78 NBR 70SH 2087	137 1
24	90.5144.00	Anello antiest. D. 22.0x25.0x1.5	137 1
25	36.3190.66	Valvola sferica	137 1
26	99.1509.00	Vite M5x0.8x8.5	137 1
27	36.3164.66	Sede valvola	137 1
28	90.3822.00	OR D. 9.92x2.62 – Spec. – 112	137 1
29	90.5065.00	Anello antiest. D. 10.6x15.0x2.0	137 1
30	90.3832.00	OR D. 13.95x2.62 – Spec. - 3056	94 1
31	10.0078.70 10.0147.70	Nipplo G 3/8" - D. 3 Nipplo M22x1.5 - D. 3	1

32	98.2057.00	Tappo M14x1.5	1
33	98.1966.00	Tappo G 1/8"x8	1
34	44.1201.41 44.1205.41	Testata con valvola D. 15 Testata con valvola D. 18	1
OPTIONALS			
POS	COD.	DESCRIZIONE – DESCRIPTION - KIT	NR
40	90.3822.00	OR D. 9.92x2.62 – Spec. – 112	94 1
41	10.0151.66 10.0076.66	Ugello – Nozzle D. 2.0 (8÷11 l/min.) Ugello – Nozzle D. 2.2 (12÷17 l/min.)	1
42	90.3582.00	OR D. 9.25x1.78 NBR 70SH 2037	94 1
43	94.8217.00	Molla conica Dm. 4.3/7.3x11.0	94 1
44	97.4782.00	Sfera D. 7/32"	94 1
45	90.3572.00	OR D. 5.28x1.78 – Spec. – 2021	94 1
46	94.7383.00	Molla Dm. 9.75x10.0	94 1
47	90.3580.00	OR D. 8.73x1.78 – Spec. – 108	94 1
48	36.2564.70	Otturatore	1
49	36.2565.51	Pomolo	1
50	90.3570.00	OR D. 4.48x1.78 NBR 70SH 2018	94 1
51	36.2566.70	Innesto portagomma	1
52	36.3181.51	Corpo dosatore	1
53	90.3585.00	OR D. 10.82x1.78 NBR 70SH 2043	94 1
54	36.2563.70	Sede valvola	1
60	90.3841.00	OR D. 17.13x2.62 NBR 70SH 3068	1
61	36.3182.51	Nipplo di aspirazione G 3/4"	1
62	92.8925.00	Filtro	1
63	90.3828.00	OR D. 12.37x2.62 NBR 70SH 3050	1
64	36.2569.51	Portagomma aspirazione	1
65	92.9828.00	Ghiera G 3/4"	1

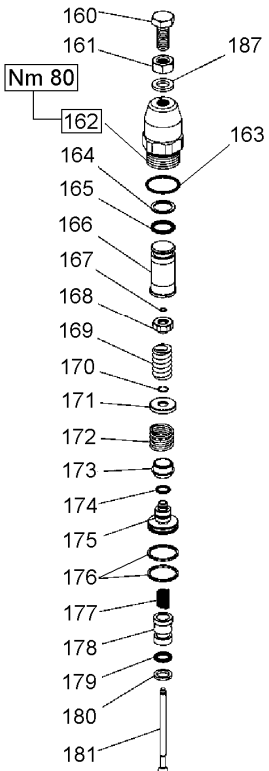
KIT RICAMBI – SPARE KITS

KIT NR.	KIT 0094	KIT 0137
Posizioni includi included	30 - 40 - 42 - 43 44 - 45 - 46 - 47 50 - 53	14 - 15 - 16 - 17 18 - 19 - 20 - 21 22 - 23 - 24 - 25 26 - 27 - 28 - 29
Nr. Pcs.	1	1

VK VERSION

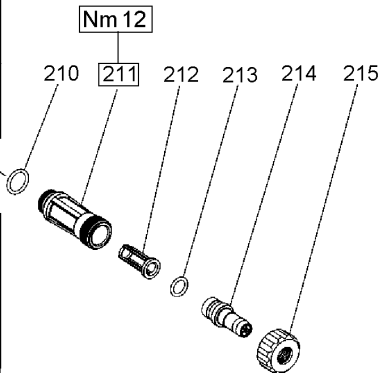
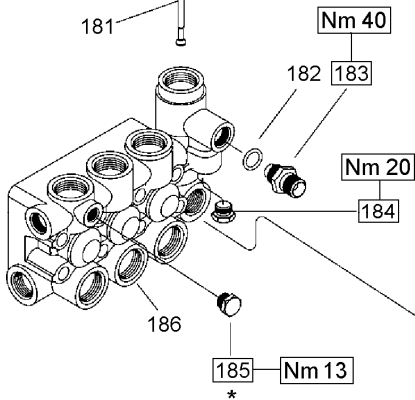
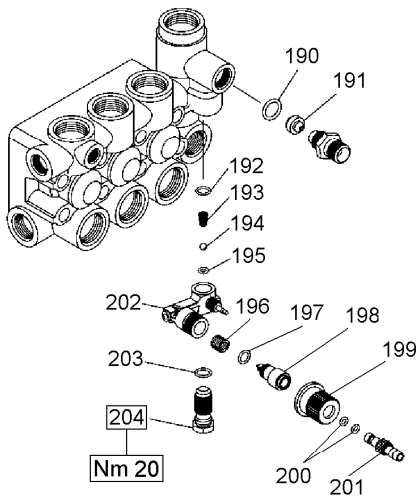
VERSIONE CON VALVOLA DI REGOLAZIONE AUT. – VERSION WITH BUILT-IN AUT. UNLOADER
 VERSION AVEC RÉGULATEUR AUT. DE PRESSION INCORPORÉ
 AUSFÜHRUNG MIT EINGEBAUTEM AUT. DRUCKREGULIERVENTIL

VERSIÓN CON REGULADOR AUT. DE PRESIÓN INCORPORADO - VERSÃO COM VÁLVULA DO REGULAMENTO AUT.



- * Fissare con Loctite 542 col. ROSSO
- * Affix with Loctite 542 col. RED
- * Fixer avec de la Loctite 542 couleur ROUGE
- * Mit Loctite 542 ROT befestigen
- * Fijar con Loctite 542 col. ROJO
- * Fixar com Loctite 542 cor. VERMELHA

OPTIONALS



DIS. COD. 44.9530.00_0

VK VERSION

VERSIONE CON VALVOLA DI REGOLAZIONE AUT. – VERSION WITH BUILT-IN AUT. UNLOADER
VERSION AVEC RÉGULATEUR AUT. DE PRESSION INCORPORÉ
AUSFÜHRUNG MIT EINGEBAUTEM AUT. DRUCKREGULIERVENTIL
VERSIÓN CON REGULADOR AUT. DE PRESIÓN INCORPORADO - VERSÃO COM VÁLVULA DO REGULAMENTO AUT.

POS	COD.	DESCRIZIONE – DESCRIPTION - KIT	N
160	99.3663.00	Vite M10x1.25x25 UNI 5740	1
161	92.2368.00	Dado M10x1.25 UNI 5589	1
162	36.3270.70	Corpo superiore	1
163	90.3604.00	OR D. 25.12x1.78 NBR 70SH 2100	1
164	90.5090.00	Anello antiest. D. 15.8x20.0x1.3	1
165	90.3835.00	OR D. 15.08x2.62 NBR 70SH 119	1
166	36.3271.70	Fine corsa	1
167	90.0059.00	Anello arresto A05 UNI7433	177 1
168	36.3274.70	Piattello molla	177 1
169	94.7408.00	Molla Dm. 12.5x26.0	177 1
170	90.0062.00	Anello arresto A08 UNI7433	177 1
171	36.3273.70	Piattello molla	177 1
172	94.7480.00	Molla Dm. 18.2x16.5	177 1
173	36.3277.56	Otturatore	177 1
174	90.3581.00	OR D. 8.73x1.78 NBR 70SH 108	177 1
175	36.3272.70	Pistoncino di comando	177 1
176	92.7710.00	Fascia elastica D. 25	177 2
177	94.7372.00	Molla Dm. 9.3x15.0	177 1
178	36.3276.66	Sede valvola	177 1
179	90.3823.00	OR D. 9.92x2.62 NBR 70SH 112	177 1
180	90.5065.00	Anello antiest. D. 10.6x15.0x2.0	177 1
181	36.3275.66	Asta valvola	177 1
182	90.3832.00	OR D. 13.95x2.62 – Spec. – 3056	94 1
183	10.0078.70 10.0147.70	Nipplo G 3/8" – D. 3 Nipplo M22x1.5 – D. 3	1
184	98.2057.00	Tappo M14x1.5	1
185	98.1966.00	Tappo G 1/8"x8	1
186	44.1201.41 44.1205.41	Testata con valvola D. 15 Testata con valvola D. 18	1
187	96.7103.00	Rosetta D. 10.5x18.0x2.0	1

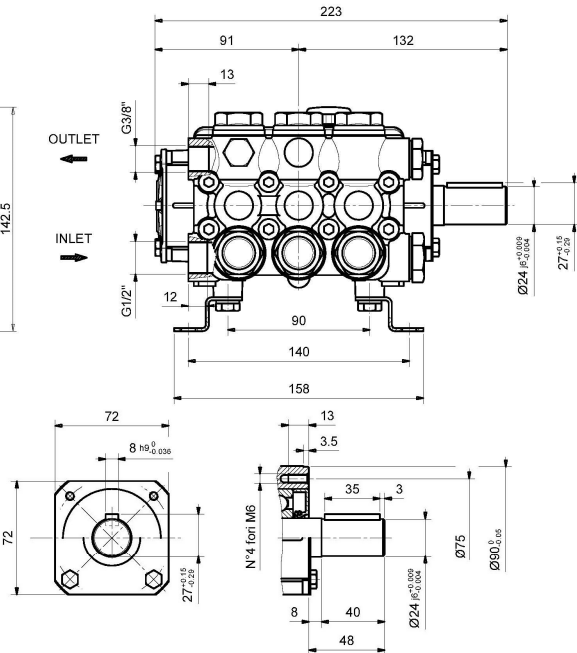
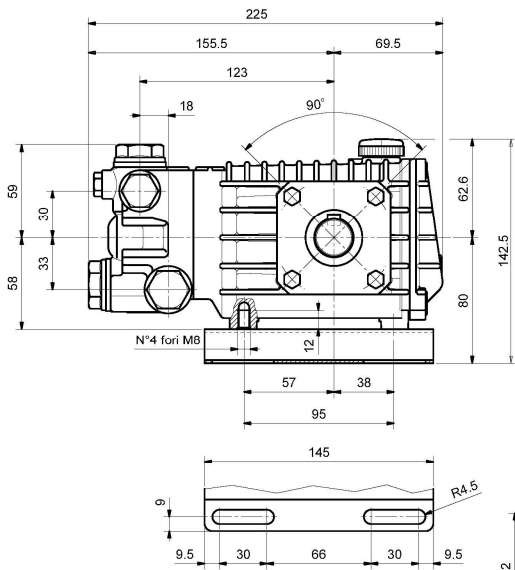
OPTIONALS			
POS	COD.	DESCRIZIONE – DESCRIPTION - KIT	NR
190	90.3822.00	OR D. 9.92x2.62 – Spec. – 112	94 1
191	10.0151.66 10.0076.66	Ugello – Nozzle D. 2.0 (8÷11 l/min.) Ugello – Nozzle D. 2.2 (12÷17 l/min.)	1
192	90.3582.00	OR D. 9.25x1.78 NBR 70SH 2037	94 1
193	94.8217.00	Molla conica Dm. 4.3/7.3x11.0	94 1
194	97.4782.00	Sfera D. 7/32"	94 1
195	90.3572.00	OR D. 5.28x1.78 – Spec. – 2021	94 1
196	94.7383.00	Molla Dm. 9.75x10.0	94 1
197	90.3580.00	OR D. 8.73x1.78 – Spec. – 108	94 1
198	36.2564.70	Otturatore	1
199	36.2565.51	Pomolo	1
200	90.3570.00	OR D. 4.48x1.78 NBR 70SH 2018	94 2
201	36.2566.70	Innesto portagomma	1
202	36.3181.51	Corpo dosatore	1
203	90.3585.00	OR D. 10.82x1.78 NBR 70SH 2043	94 1
204	36.2563.70	Sede valvola	1
210	90.3841.00	OR D. 17.13x2.62 NBR 70SH 3068	1
211	36.3182.51	Nipplo di aspirazione G 3/4"	1
212	92.8925.00	Filtro	1
213	90.3828.00	OR D. 12.37x2.62 NBR 70SH 3050	1
214	36.2569.51	Portagomma aspirazione	1
215	92.9828.00	Ghiera G 3/4"	1

KIT RICAMBI – SPARE KITS

KIT NR.	KIT 94	KIT 177
Posizioni incluse Positions included	182 – 190 – 192 193 – 194 – 195 196 – 197 – 200 203	167 – 168 – 169 170 – 171 – 172 173 – 174 – 175 176 – 177 – 178 179 – 180 -181
Nr. Pcs.	1	1

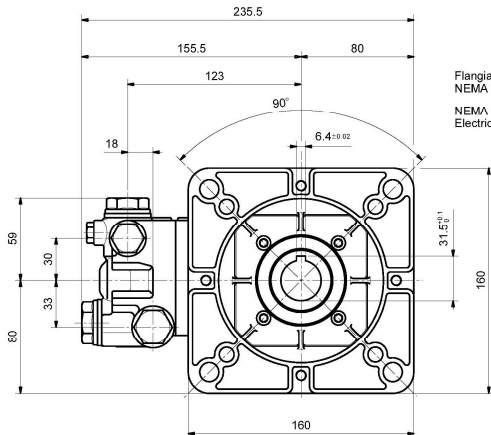
**DIMENSIONI D'INGOMBRO – OVERALL DIMENSIONS – DIMENSIONS D'ENCOMBREMENT
RAUMBEDARF – DIMENSIONES TOTALES – DIMENSÕES**

DIS. COD. 44.2140.00_2

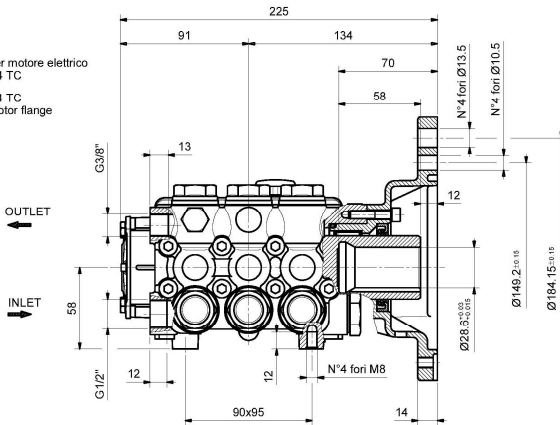


STD.

DIS. COD. 44.2143.00_2



Flangia per motore elettrico
NEMA 184 TC
NEMA 184 TC
Electric motor flange

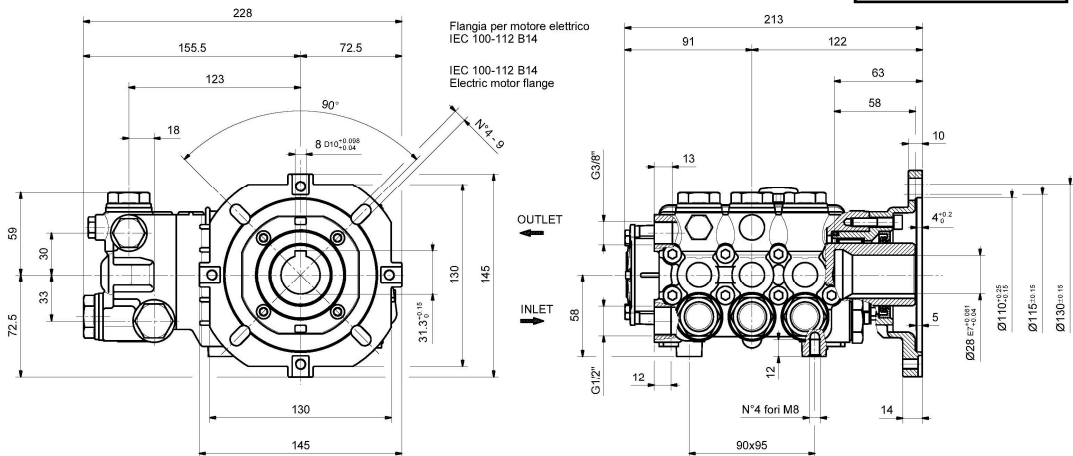


FL. A

**W950 W951 W952 W953
W954 W955 W956 W957
W958 W959 W14200
W16180 WW967 WW968**

**DIMENSIONI D'INGOMBRO – OVERALL DIMENSIONS – DIMENSIONS D'ENCOMBREMENT
RAUMBEDARF – DIMENSIONES TOTALES – DIMENSÕES**

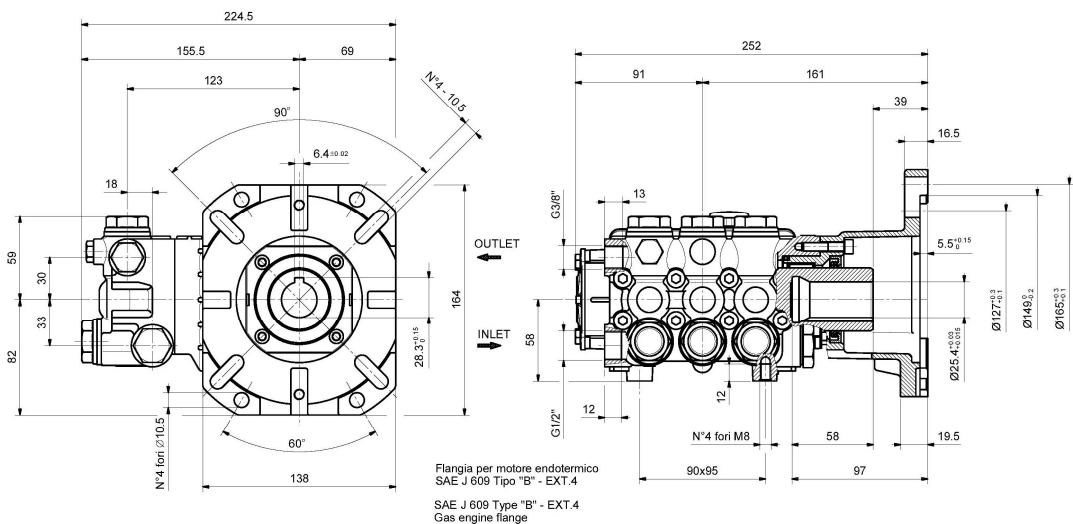
DIS. COD. 44.2145.00_2



B

**W97 W112 W124 W130
W130HH W140 W140HH
W150 W154 W154HH
W170 W200 W204
WW116 WW136 WW156
WW176 WW186 WW206
WW209**

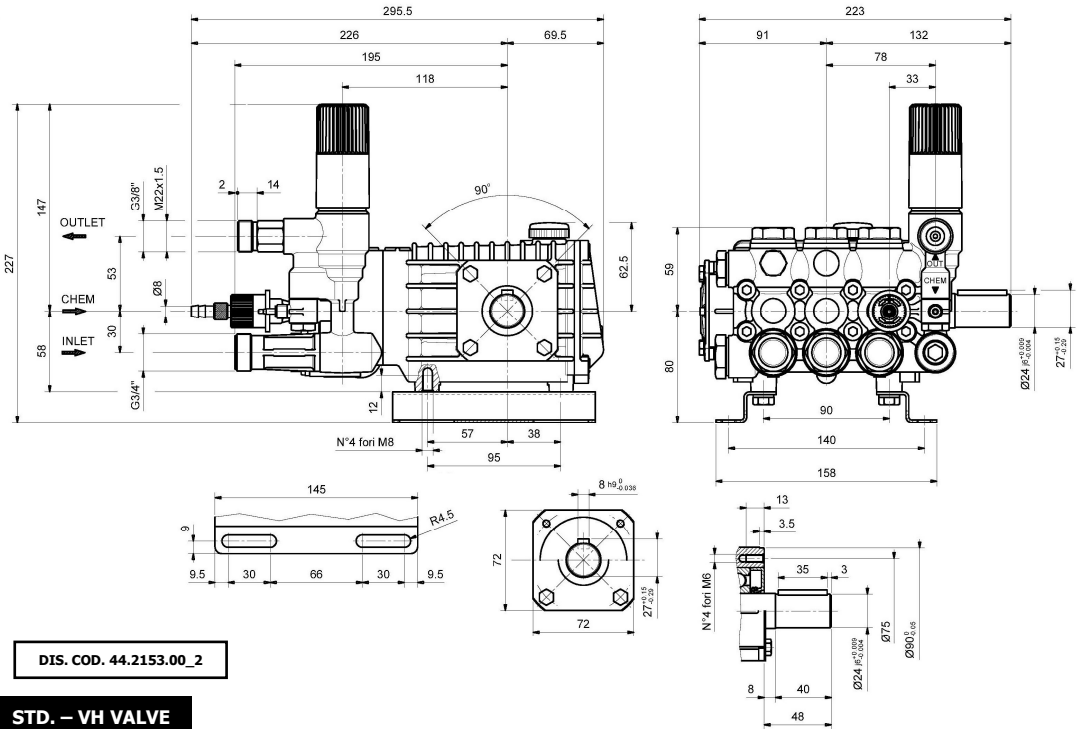
DIS. COD. 44.2144.00_3



C

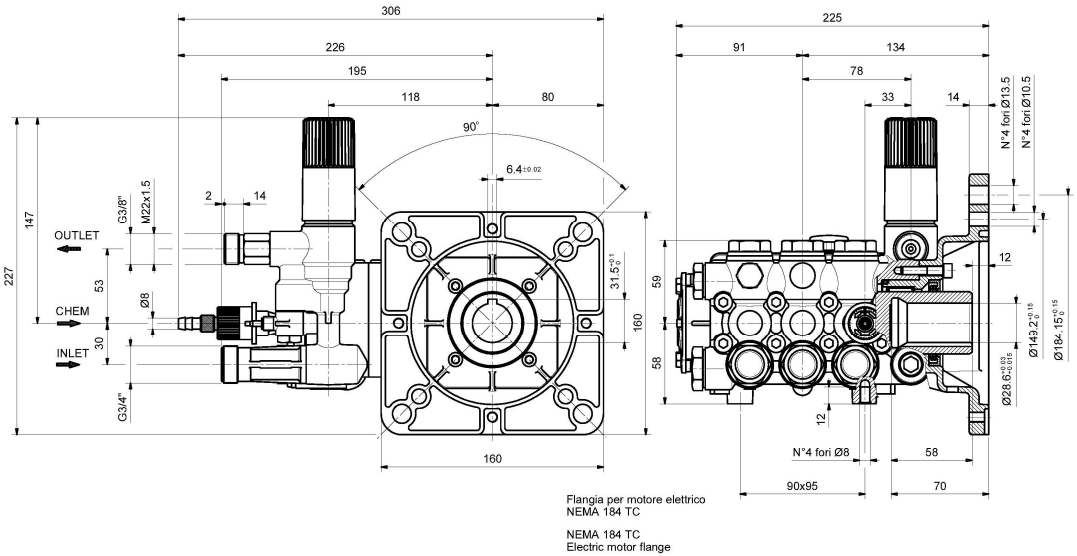
**WW960 WW961 WW962
WW966 WW967 WW968**

**DIMENSIONI D'INGOMBRO – OVERALL DIMENSIONS – DIMENSIONS D'ENCOMBREMENT
RAUMBEDARF – DIMENSIONES TOTALES – DIMENSÕES**



DIS. COD. 44.2153.00_2

STD. - VH VALVE



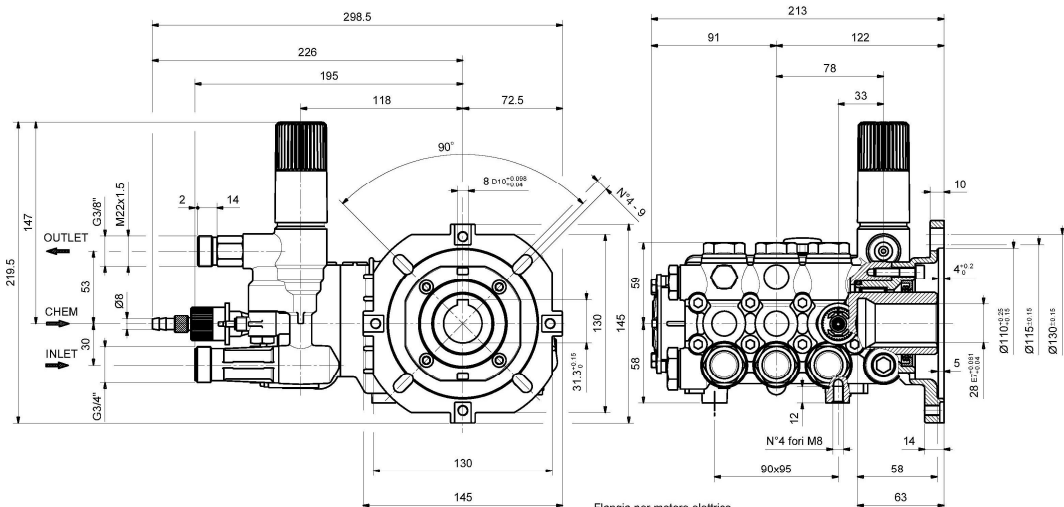
Flangia per motore elettrico
NEMA 184 TC
NEMA 184 TC
Electric motor flange

DIS. COD. 44.2154.00_2

FL. A - VH VALVE

**W950 W951 W952
W953 W954 W955
W956 W957 W958
W959**

**DIMENSIONI D'INGOMBRO – OVERALL DIMENSIONS – DIMENSIONS D'ENCOMBREMENT
RAUMBEDARF – DIMENSIONES TOTALES – DIMENSÕES**

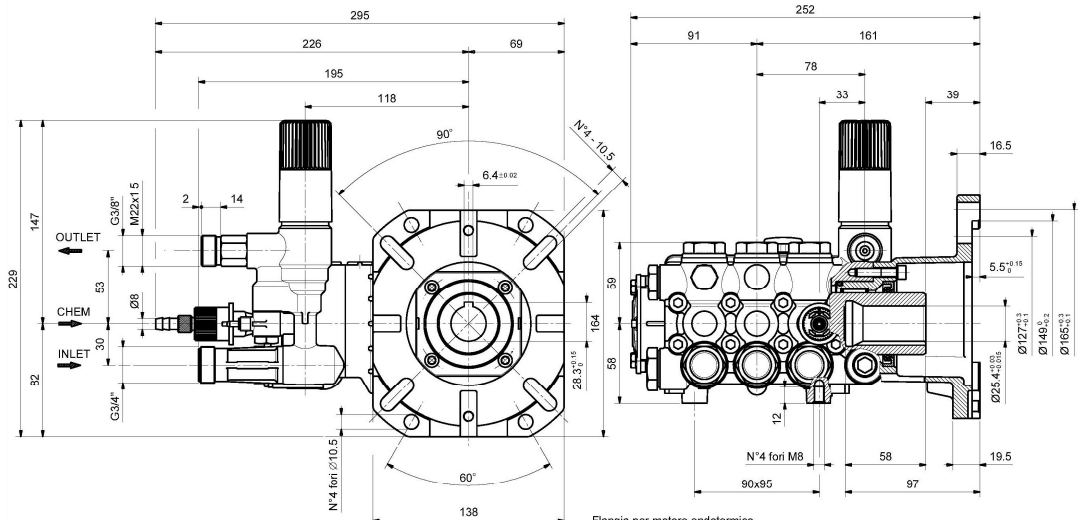


Flangia per motore elettrico
IEC 100-112 B14
IEC 100-112 B14
Electric motor flange

DIS. COD. 44.2155.00_2

**W97 W112 W124 W130
W130HH W140 W140HH
W150 W154 W154HH
W170 WW116 WW136
WW156 WW176 WW186
WW206 WW209**

FL. B – VH VALVE



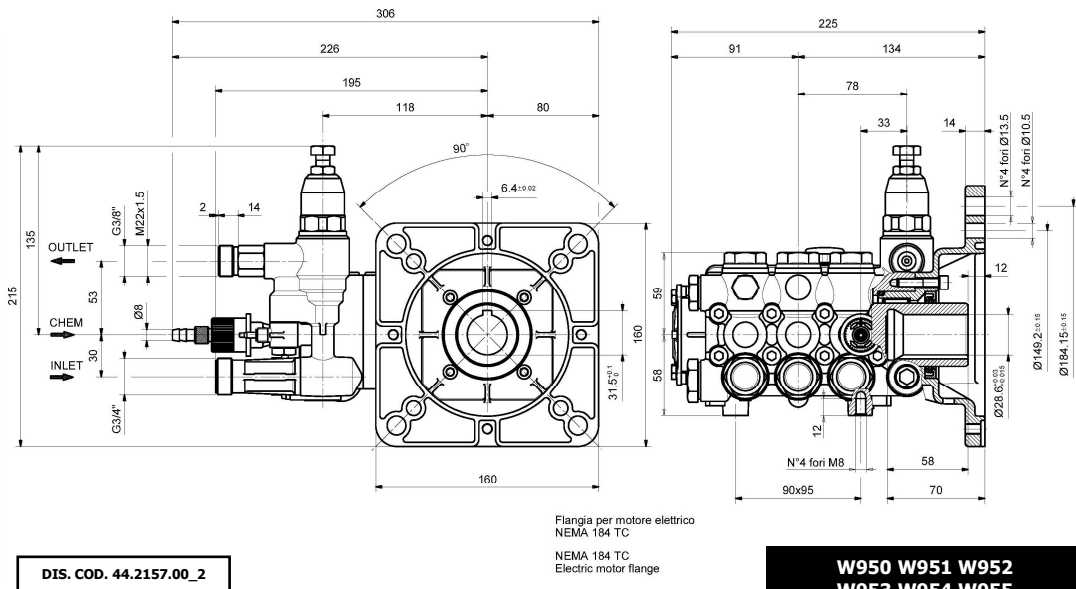
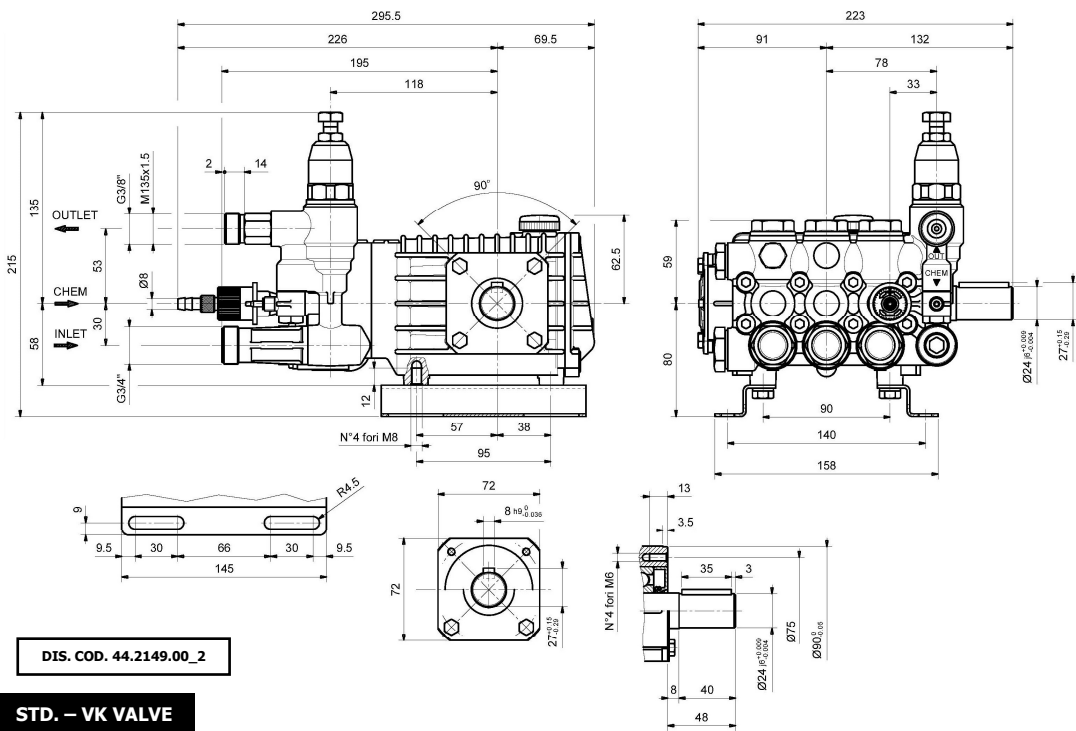
Flangia per motore endotermico
SAE J 609 Tipo 'B' - EXT. 4
SAE J 609 Tipo 'B' - EXT. 4
Gas engine flange

DIS. COD. 44.2156.00_3

**WW960 WW961
WW962**

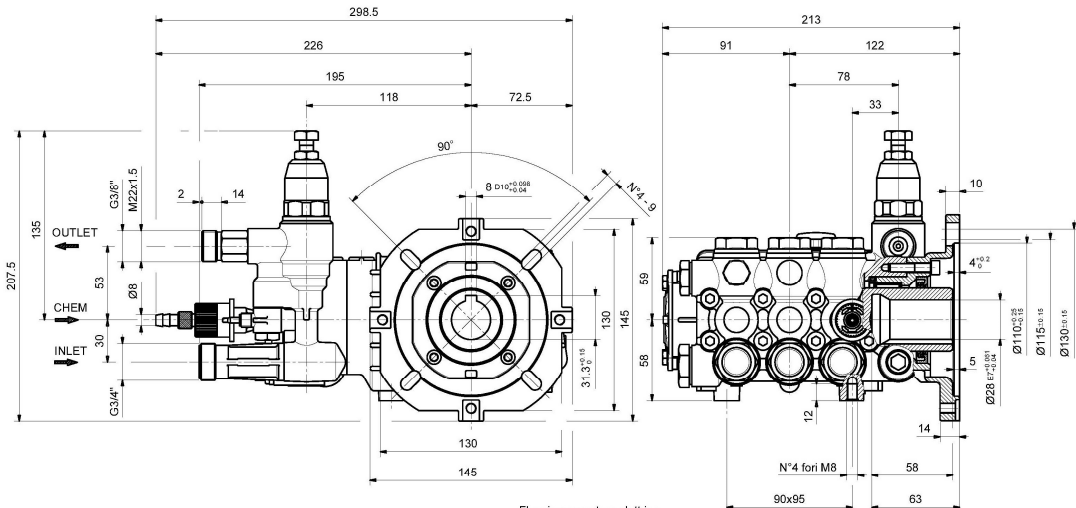
FL. C – VH VALVE

**DIMENSIONI D'INGOMBRO – OVERALL DIMENSIONS – DIMENSIONS D'ENCOMBREMENT
RAUMBEDARF – DIMENSIONES TOTALES – DIMENSÕES**



**W950 W951 W952
W953 W954 W955
W956 W957 W958
W959**

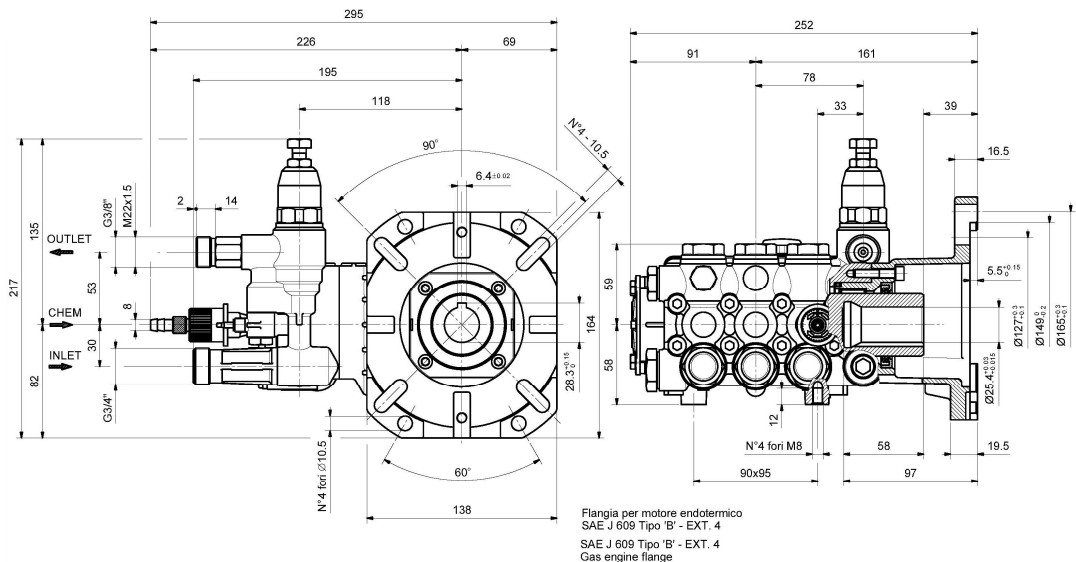
**DIMENSIONI D'INGOMBRO – OVERALL DIMENSIONS – DIMENSIONS D'ENCOMBREMENT
RAUMBEDARF – DIMENSIONES TOTALES – DIMENSÕES**



DIS. COD. 44.2158.00_2

**W97 W112 W124
W130 W130HH W140
W140HH W150 W154
W154HH W170 WW116
WW136 WW156 WW176
WW186 WW206 WW209**

FL. B – VH VALVE



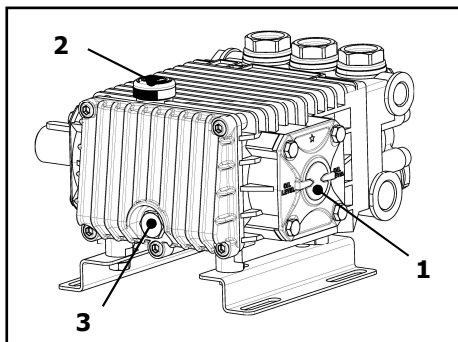
DIS. COD. 44.2159.00_3

**WW960 WW961
WW962**

FL. C – VH VALVE

1 - CAMBIO OLIO

- 1.1 – Il cambio dell’olio va eseguito con pompa a temperatura di lavoro.
- 1.2 – Posizionare un recipiente sotto il tappo di scarico olio (3).
- 1.3 – Rimuovere il tappo con asta (1) e successivamente il tappo di scarico (3).
- 1.4 – Attendere fino a quando tutto l’olio è uscito, quindi riavvitare il tappo di scarico (3) con la coppia torcente indicata su disegno esploso.
- 1.5 – Riempire con olio nuovo fino al raggiungimento della mezziera del tappo spia livello olio (2) e riavvitare il tappo con asta (1) .



Per il tipo di olio da utilizzare fare riferimento a quanto indicato sul libretto generico.



ATTENZIONE: L’olio esausto deve essere raccolto in recipienti e smaltito negli appositi centri in accordo alla normativa vigente. Non deve essere assolutamente disperso nell’ambiente.

1 – OIL CHANGING

- 1.1 – Oil changing must be done with the pump at operating temperature.
- 1.2 – Put a container under the oil drain plug (3).
- 1.3 – Remove the oil dipstick (1) and then the drain plug (3).
- 1.4 – Wait until all the oil has drained out, then screw the drain plug (3) and tighten at the torque shown in the exploded diagram.
- 1.5 – Fill with new oil until the middle of the oil level indicator (2) is reached, screw by hand the oil dipstick (1).

Refer to the generic booklet for the type of oil to use.



WARNING: The exhaust oil must be collected in receptacles and disposed of at authorised centres as specified by law. It must not be thrown away in the environment.

1 - CHANGEMENT DE L’HUILE

- 1.1 – Le changement de l’huile doit être exécuté avec la pompe à température d’exercice.
- 1.2 – Placer un récipient sous le bouchon de vidange de l’huile (3).
- 1.3 – Enlever le bouchon-jauge (1), puis enlever le bouchon de vidange (3).
- 1.4 – Attendre que toute l’huile soit sortie, puis revisser le bouchon de vidange (3) avec le couple de torsion qui est indiqué sur le dessin éclaté.
- 1.5 – Remplir avec de l’huile neuve jusqu’à la ligne médiane du bouchon indicateur du niveau d’huile (2), et revisser le bouchon-jauge (1).

Pour le type d’huile à utiliser, se référer à ce qui est indiqué sur la notice générale.



ATTENTION : L’huile usée doit être recueillie dans des récipients et éliminée dans les centres prévus à cet effet, conformément à la réglementation en vigueur. Il ne faut absolument pas la jeter dans l’environnement.

1 - ÖLWECHSEL

1.1 – Beim Ölwechsel muss die Pumpe Betriebstemperatur aufweisen.

1.2 – Unter den Ölablassverschluss (3) einen Behälter stellen.

1.3 – Den Verschluss mit dem Stab (1) und danach den Ablassverschluss (3) abnehmen.

1.4 – Warten, bis das gesamte Öl abgelassen ist und den Ablassverschluss (3) mit dem auf der Übersichtszeichnung angegebenen Drehmoment wieder anschrauben.

1.5 – Mit frischem Öl füllen, bis die Mittellinie des Ölstandkontrollverschlusses (2) erreicht ist und den Verschluss mit dem Stab (1) wieder anschrauben.

Bezüglich der verwendbaren Ölsorten siehe die Angaben im allgemeinen Handbuch.



ACHTUNG: Das Altöl muss in Behältern gesammelt und gemäß den geltenden Vorschriften bei den hierfür vorgesehenen Zentren entsorgt werden. Es darf keinesfalls umweltschädigend entsorgt werden.

1 - CAMBIO DE ACEITE

1.1 – El cambio de aceite se efectúa con bomba a temperatura de trabajo.

1.2 – Colocar un recipiente debajo del tapón de descarga de aceite (3).

1.3 – Extraer el tapón con varilla (1) y seguidamente el tapón de descarga (3).

1.4 – Esperar hasta que haya salido todo el aceite, volver a enroscar el tapón de descarga (3) con el par de torsión indicado en el despiece.

1.5 – Llenar con aceite nuevo hasta alcanzar la línea media del tapón indicador de nivel de aceite (2) y volver a enroscar el tapón con varilla (1).

Para el tipo de aceite que debe utilizarse, remitirse a las indicaciones del manual general.



ATENCIÓN: El aceite residual debe recogerse en recipientes y eliminarse en los centros pertinentes de acuerdo con la normativa vigente. En ningún caso debe dispersarse en el ambiente.

1 - TROCA DE ÓLEO

1.1 – A troca de óleo deve ser feita com a bomba na temperatura de trabalho.

1.2 – Posicionar um recipiente embaixo da tampa de descarga de óleo (3).

1.3 – Remover a tampa com o pino (1) e, em seguida, a tampa de descarga (3).

1.4 – Esperar que todo o óleo saia, recolocar a tampa de descarga (3) com o binário de torção indicado no desenho explodido.

1.5 – Encher com o óleo novo até chegar na linha da tampa de controle do nível do óleo (2) e recolocar a tampa com o pino (1).

Para o tipo de óleo a ser utilizado, consultar as indicações do livro genérico.



ATENÇÃO: O óleo consumido deve ser coletado em recipientes e eliminado nos locais adequados, de acordo com a normativa vigente. Não deve, de modo algum, ser jogado no ambiente.

DICHIARAZIONE DI INCORPORAZIONE

(Ai sensi dell'allegato II della Direttiva Europea 2006/42/CE)

Il produttore **INTERPUMP GROUP S.p.A. – Via E. Fermi, 25 – 42049 S. ILARIO D'ENZA (RE) – Italia** **DICHIARA** sotto la propria esclusiva responsabilità che il prodotto identificato e descritto come segue:

Denominazione:	Pompa
Tipo:	Pompa alternativa a pistoni per acqua ad alta pressione
Marchio di fabbrica:	INTERPUMP GROUP
Serie:	44
Modello:	W150 W130 W130HH W170 W112 W140 W140HH W97 W124 W154 W154HH W950 W951 W952 W953 W954 W955 W956 W957 W958 W959 W200 W204 W14200 W16180 WW186 WW206 WW116 WW156 WW209 WW189 WW136 WW176 WW960 WW961 WW962 WW966 WW967 WW968

Risulta essere conforme alla Direttiva Macchine 2006/42/CE.

Norme applicate: UNI EN ISO 12100:2010 - UNI EN 809:2009

La pompa sopra identificata rispetta i seguenti requisiti essenziali di sicurezza e di tutela della salute elencati nel punto 1 dell'allegato I della Direttiva Macchine:

1.1.1 - 1.1.2 – 1.1.3 – 1.1.5 – 1.1.6 - 1.3.1 – 1.3.2 – 1.3.3 – 1.3.4 – 1.5.4 – 1.6.1 – 1.7.1 – 1.7.2 – 1.7.4 – 1.7.4.1 – 1.7.4.2

e la relativa documentazione tecnica è stata compilata in conformità dell'allegato VII B.

Inoltre il produttore si impegna a rendere disponibile, a seguito di una richiesta adeguatamente motivata, copia della documentazione tecnica pertinente la pompa nei modi e nei termini da definire.

La pompa non deve essere messa in servizio finché l'impianto al quale la pompa deve essere incorporata è stato dichiarato conforme alle disposizioni delle relative direttive e/o norme.

Persona autorizzata a costituire il fascicolo tecnico

Nome: Roberto Menozzi

Indirizzo: INTERPUMP GROUP S.p.A. – Via E. Fermi,
25 – 42049 S. ILARIO D'ENZA (RE) – Italia

Persona autorizzata a redigere la dichiarazione:

Nome : Ing. Silvio Corrias

Reggio Emilia 04/2021

Firma: 

DECLARATION OF INCORPORATION

(In accordance with Annex II of European Directive 2006/42/CE)

The manufacturer **INTERPUMP GROUP S.p.A. – Via E. Fermi, 25 – 42049 S. ILARIO D'ENZA (RE) – Italy** **DECLARES** under sole responsibility that the product identified and described as follows:

Name: Pump
Type: Reciprocating plunger pump for high pressure water
Trademark: INTERPUMP GROUP
Series: 44
Model: W150 W130 W130HH W170 W112 W140 W140HH W97 W124 W154 W154HH W950
W951 W952 W953 W954 W955 W956 W957 W958 W959 W200 W204 W14200
W16180 WW186 WW206 WW116 WW156 WW209 WW189 WW136 WW176 WW960
WW961 WW962 WW966 WW967 WW968

complies with Machinery Directive 2006/42/EC.

Standards applied: UNI EN ISO 12100:2010 - UNI EN 809:2009

The pump identified above meets all the essential safety and health protection requirements as listed in section 1 of Annex I of the Machinery Directive:
1.1.1 - 1.1.2 – 1.1.3 – 1.1.5 – 1.1.6 - 1.3.1 – 1.3.2 – 1.3.3 – 1.3.4 – 1.5.4 – 1.6.1 – 1.7.1 – 1.7.2 – 1.7.4 – 1.7.4.1 – 1.7.4.2
and the relevant technical documentation has been compiled in accordance with Annex VII B.

In addition, the manufacturer undertakes to make available, following a reasoned request, a copy of the relevant technical pump documentation in the manner and terms to be defined.

The pump should not be put into service until the plant to which the pump is to be incorporated has been declared in accordance with the provisions of the relevant directives and/or standards.

Person authorised to compile the technical file

Name: Roberto Menozzi

Address: INTERPUMP GROUP S.p.A. – Via E. Fermi,
25 – 42049 S. ILARIO D'ENZA (RE) – Italy

Person authorized to draw up the declaration:

Name : Mr. Silvio Corrias

Reggio Emilia 04/2021

Signature:



DÉCLARATION D'INCORPORATION

(Conformément à l'annexe II de la Directive Européenne 2006/42/CE)

Le fabricant **INTERPUMP GROUP S.p.A. – Via E. Fermi, 25 – 42049 S. ILARIO D'ENZA (RE) – Italie**

DÉCLARE sous sa seule responsabilité que le produit identifié et décrit comme suit :

Dénomination : Pompe
Type : Pompe alternative à pistons pour eau à haute pression
Marque de fabrique : INTERPUMP GROUP
Séries : 44
Modèle : W150 W130 W130HH W170 W112 W140 W140HH W97 W124 W154 W154HH
W950 W951 W952 W953 W954 W955 W956 W957 W958 W959 W200 W204
W14200 W16180 WW186 WW206 WW116 WW156 WW209 WW189 WW136
WW176 WW960 WW961 WW962 WW966 WW967 WW968

Est conforme à la Directive Machines 2006/42/CE.

Normes appliquées : UNI EN ISO 12100:2010 - UNI EN 809:2009

La pompe identifiée ci-dessus répond aux exigences essentielles de sécurité et protection de la santé suivantes énumérées au point 1 de l'annexe I de la Directive Machines :

1.1.1 - 1.1.2 – 1.1.3 – 1.1.5 – 1.1.6 - 1.3.1 – 1.3.2 – 1.3.3 – 1.3.4 – 1.5.4 – 1.6.1 – 1.7.1 – 1.7.2 – 1.7.4 – 1.7.4.1 – 1.7.4.2

et la documentation technique pertinente est constituée conformément à l'annexe VII B.

De plus, le fabricant s'engage à rendre disponible, suite à une demande adéquatement motivée, une copie de la documentation technique relative à la pompe dans les modes et les termes à définir.

La pompe ne doit pas être mise en marche tant que l'installation à laquelle la pompe doit être incorporée n'a pas été déclarée conforme aux dispositions des directives et / ou normes relatives.

Personne autorisée à réaliser le manuel technique

Nom : Roberto Menozzi

Adresse : INTERPUMP GROUP S.p.A. – Via E. Fermi,
25 – 42049 S. ILARIO D'ENZA (RE) – Italie

Personne autorisée à rédiger la déclaration :

Nom : Ing. Silvio Corrias

Reggio Emilia 04/2021

Signature :



EINBAUERKLÄRUNG

(gemäß Anhang II der Europäischen Richtlinie 2006/42/EG)

Der Hersteller **INTERPUMP GROUP S.p.A. – Via E. Fermi, 25 – 42049 S. ILARIO D'ENZA (RE) – Italien**

ERKLÄRT auf alleinige Verantwortung, dass das wie folgt bezeichnete und beschriebene Produkt:

Bezeichnung: Pumpe
Typ: Kolbenhubpumpe für Hochdruckwasser
Herstellermarke: INTERPUMP GROUP
Serie: 44
Modell: W150 W130 W130HH W170 W112 W140 W140HH W97 W124 W154 W154HH
W950 W951 W952 W953 W954 W955 W956 W957 W958 W959 W200 W204
W14200 W16180 WW186 WW206 WW116 WW156 WW209 WW189 WW136
WW176 WW960 WW961 WW962 WW966 WW967 WW968

mit der Maschinenrichtlinie 2006/42/EG konform ist.

Angewandte Normen: UNI EN ISO 12100:2010 - UNI EN 809:2009

Die oben genannte Pumpe genügt den folgenden grundlegenden Sicherheits- und Gesundheitsschutzanforderungen, die unter Punkt 1 des Anhangs I der Maschinenrichtlinie aufgeführt sind: 1.1.1 - 1.1.2 – 1.1.3 – 1.1.5 – 1.1.6 - 1.3.1 – 1.3.2 – 1.3.3 – 1.3.4 – 1.5.4 – 1.6.1 – 1.7.1 – 1.7.2 – 1.7.4 – 1.7.4.1 – 1.7.4.2

Die speziellen technischen Unterlagen wurden gemäß Anhang VII Teil B erstellt.

Darüber hinaus verpflichtet sich der Hersteller einzelstaatlichen Stellen auf begründetes Verlangen die speziellen technischen Unterlagen zur Pumpe in festzulegenden Modalitäten und Fristen zu übermitteln.

Die Pumpe darf erst dann in Betrieb genommen werden, wenn gegebenenfalls festgestellt wurde, dass die Maschine, in die die Pumpe eingebaut werden soll, den Bestimmungen der entsprechenden Richtlinien und/oder Normen entspricht.

Person, die bevollmächtigt ist, die relevanten technischen Unterlagen zusammenzustellen: Roberto Menozzi

Adresse: INTERPUMP GROUP S.p.A. – Via E. Fermi,
25 – 42049 S. ILARIO D'ENZA (RE) – Italien

Person, die zur Ausstellung dieser Erklärung bevollmächtigt ist: Ing. Silvio Corrias

Reggio Emilia 04/2021

Unterschrift:



DECLARACIÓN DE INCORPORACIÓN

(De acuerdo con el anexo II de la Directiva Europea 2006/42/CE)

El fabricante **INTERPUMP GROUP S.p.A. – Via E. Fermi, 25 – 42049 S. ILARIO D'ENZA (RE) – Italia**
DECLARA bajo su propia y exclusiva responsabilidad al producto identificado y descrito del siguiente modo:

Denominación: Bomba
Tipo: Bomba alternativa con pistones para agua de alta presión
Marca del fabricante: INTERPUMP GROUP
Serie: 44
Modelo: W150 W130 W130HH W170 W112 W140 W140HH W97 W124 W154 W154HH
W950 W951 W952 W953 W954 W955 W956 W957 W958 W959 W200 W204
W14200 W16180 WW186 WW206 WW116 WW156 WW209 WW189 WW136
WW176 WW960 WW961 WW962 WW966 WW967 WW968

Resulta estar conforme con la Directiva de Máquinas 2006/42/CE.

Normas aplicadas: UNI EN ISO 12100:2010 - UNI EN 809:2009

La bomba identificada anteriormente respeta los siguientes requisitos esenciales de seguridad y de protección de la salud citados en el punto 1 del anexo I de la Directiva de Máquina:

1.1.1 - 1.1.2 – 1.1.3 – 1.1.5 – 1.1.6 - 1.3.1 – 1.3.2 – 1.3.3 – 1.3.4 – 1.5.4 – 1.6.1 – 1.7.1 – 1.7.2 – 1.7.4 – 1.7.4.1 – 1.7.4.2

y la correspondiente documentación técnica ha sido compilada de acuerdo con el anexo VII B.

Además el fabricante se compromete en hacer disponible, después haberse llevado a cabo una solicitud adecuadamente motivada, una copia de la documentación técnica pertinente de la bomba en una modalidad y en un plazo aún por definir.

La bomba no debe ser puesta en funcionamiento, hasta que el sistema al cuál la bomba debe ser incorporada, haya sido declarado conforme a las disposiciones de las respectivas directivas y/o normativas.

Persona autorizada a realizar el fascículo técnico

Nombre: Roberto Menozzi

Dirección: INTERPUMP GROUP S.p.A. – Via E. Fermi,
25 – 42049 S. ILARIO D'ENZA (RE) – Italia

Persona autorizada a redactar la declaración:

Nombre : Ing. Silvio Corrias

Reggio Emilia 04/2021

Firma:



DECLARAÇÃO DE INCORPORAÇÃO

(Nos termos do anexo II da Directiva Europeia 2006/42/CE)

O fabricante **INTERPUMP GROUP S.p.A. – Via E. Fermi, 25 – 42049 S. ILARIO D'ENZA (RE) – Itália**
DECLARA sob a sua exclusiva responsabilidade que o produto identificado e descrito tal como se segue:

Denominação: Bomba
Tipo: Bomba alternativa com pistões para água a alta pressão
Marca de fábrica: INTERPUMP GROUP
Series: 44
Modelo: W150 W130 W130HH W170 W112 W140 W140HH W97 W124 W154 W154HH
W950 W951 W952 W953 W954 W955 W956 W957 W958 W959 W200 W204
W14200 W16180 WW186 WW206 WW116 WW156 WW209 WW189 WW136
WW176 WW960 WW961 WW962 WW966 WW967 WW968

Está em conformidade com a Directiva Máquinas 2006/42/CE.

Normas aplicadas: UNI EN ISO 12100:2010 - UNI EN 809:2009

A bomba acima identificada respeita os seguintes requisitos essenciais de segurança e de tutela da saúde, referidos no ponto 1 do anexo I da Directiva Máquinas:

1.1.1 - 1.1.2 – 1.1.3 – 1.1.5 – 1.1.6 - 1.3.1 – 1.3.2 – 1.3.3 – 1.3.4 – 1.5.4 – 1.6.1 – 1.7.1 – 1.7.2 – 1.7.4 – 1.7.4.1 – 1.7.4.2

e a respectiva documentação técnica foi compilada em conformidade com o anexo VII B.

Além disso, o fabricante compromete-se a disponibilizar, mediante pedido adequadamente motivado, uma cópia da documentação técnica referente à bomba, em modos e termos a definir.

A bomba não deve ser colocada em funcionamento até que o sistema no qual tem de ser incorporada seja declarado em conformidade com as disposições das respectivas directivas e/ou normas.

Pessoa autorizada a compilar a documentação técnica Nome: Roberto Menozzi

Morada: INTERPUMP GROUP S.p.A. – Via E. Fermi,
25 – 42049 S. ILARIO D'ENZA (RE) – Itália

Pessoa autorizada a redigir a declaração: Nome : Eng.º Silvio Corrias

Reggio Emilia 04/2021

Assinatura:



COPYRIGHT Il contenuto di questo libretto è di proprietà di INTERPUMP GROUP, ne è vietata la riproduzione e/o la divulgazione, anche parziale, a termini di legge.

COPYRIGHT The contents of this booklet are the property of INTERPUMP GROUP. Reproduction and divulgation, in whole or in part, are prohibited by law.

COPYRIGHT Le contenu de cette notice appartient à INTERPUMP GROUP : aux termes de la loi il est interdit de le reproduire et/ou de le divulguer, même partiellement.

COPYRIGHT Der Inhalt dieser Bedienungsanleitung ist Eigentum von INTERPUMP GROUP. Die auch nur teilweise Reproduktion und/oder Verbreitung ist gesetzlich verboten.

COPYRIGHT El contenido del presente manual es propiedad de INTERPUMP GROUP y está legalmente prohibida su reproducción y/o divulgación parcial o total.

COPYRIGHT O conteúdo deste livro é de propriedade da INTERPUMP GROUP, e é proibida a sua reprodução e/ou a sua divulgação, mesmo parcial, nos termos da lei.

Le informazioni presenti su questo documento possono essere variate senza preavviso.

The information contained in this document may change without notice.

Les informations présentes sur ce document peuvent être changées sans besoin de préavis.

Die in diesem Dokument enthaltenen Informationen können ohne Vorankündigung geändert werden.

La información contenida en el presente documento puede modificarse sin previo aviso.

As informações contidas neste documento poderão ser sujeitas a alterações sem aviso prévio.



**INTERPUMP
GROUP**

**AZIENDA CON SISTEMA
DI GESTIONE QUALITÀ
CERTIFICATO DA DNV
= ISO 9001 =**

VIA FERMI, 25 42049 S.ILARIO – REGGIO EMILIA (ITALY)
TEL.+39 – 0522 - 904311 TELEFAX +39 – 0522 – 904444
E-mail: info@interpumpgroup.it - <http://www.interpumpgroup.it>